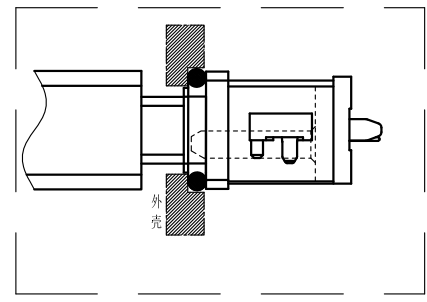
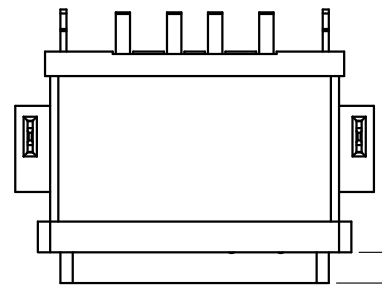
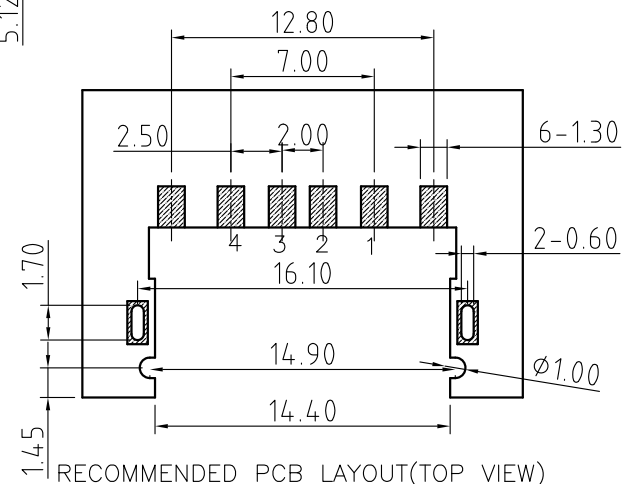
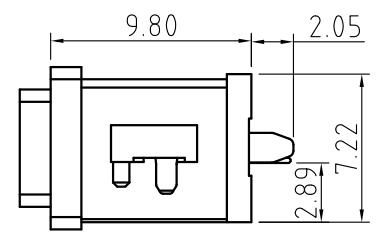
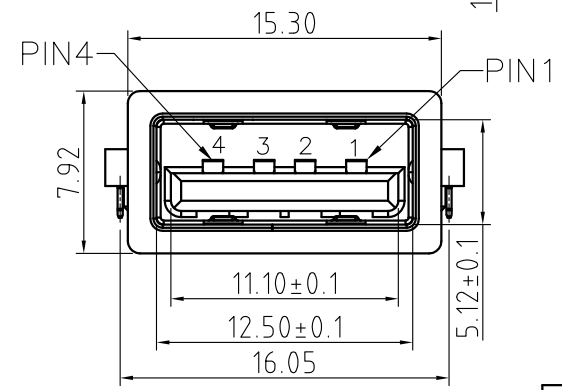


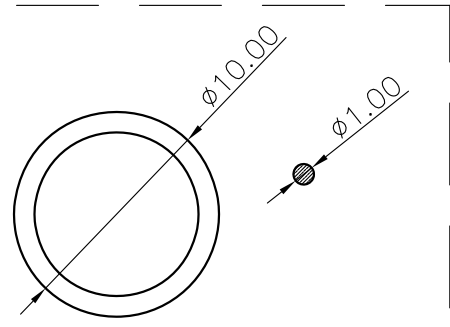
REV.	ECN.NO.	APPD.
A	XXXXXXXXXX	yangguifeng



- NOTES:
- MATERIAL:
 - Housing:thermoplastic plastics
 - terminals:Copper Alloy
Gold plated in contact area:
Tin plated in termination
Nickel Plated overall
 - Shell:Steel&Copper Alloy
Nickel Plated overall
 - ELECTRICAL CHARACTERISTICS:
 - Rating Current :1.5 Ampere
 - Rating Voltage :30 V Max
 - Contact Resistance:30 Milli ohms
 - Insulation Resistance:1000 Mega ohms Min.
 - MECHANICAL CHARACTERISTICS:
 - Connector Mating force: 35N MAX(3.57Kgf)
 - Connector Unmating force:10N min(1.02Kgf)
 - Durability:1500Cycles.
 - ENVIRONMENT CHARACTERISTICS:
 - Operating temperature:-0°C to +50°C
 - Storage temperature:-20°C to +60°C



U227-491B-G51038
 B: 不锈钢镀镍
 G: 半金G/Fu
 5: PA9T
 3: 载带
 1: 黑色



注: 防水圈是圆形截面, 直径为1.0mm的硅胶圈, 防水圈挤压力, 由1.0mm挤压到0.4mm ~ 0.5mm, 防水效果好

RECOMMENDED PCB LAYOUT(TOP VIEW)
 DEFAULT TOLERANCE+/-0.05
 THICKNESS T=1.2mm

PIN ASSIGNMENT

PIN NO.	1	2	3	4
SINGAL NAME	VBUS	D-	D+	GND

TOLERANCE UNLESS OTHERWISE SPECIFIED		FLW 深圳市华联威电子科技有限公司			
.XXX ±0.10 .XX ±0.20 .X ±0.30		.X ±3' .XX ±2'		HUA LIAN WEI TECHNOLOGY ELECTRONICS CO;LTD.	
APPROVED		PART NAME:	2.0 AF 沉板3.29 直脚		
CHECKED		PART No:	U227-491B-G51038	C	
DRAWN	yangguifeng	PROJECTION:	UNIT:	SCALE	SHEET
DATE	2021.12.01		mm	1:1	1 OF 1
					REV. A

由 Autodesk 教育版产品制作

由 Autodesk 教育版产品制作