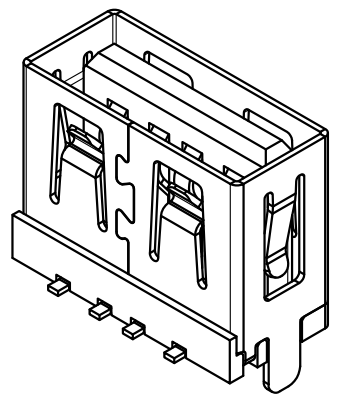
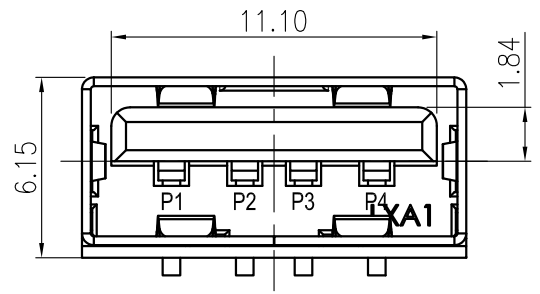
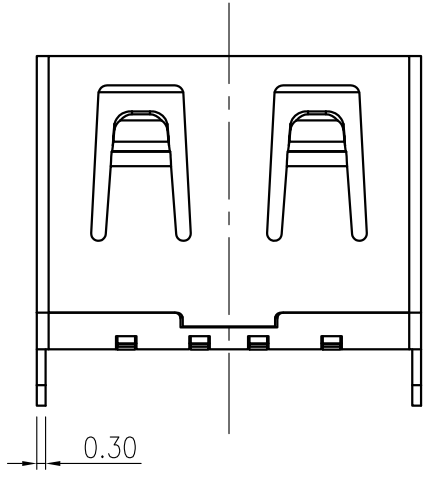
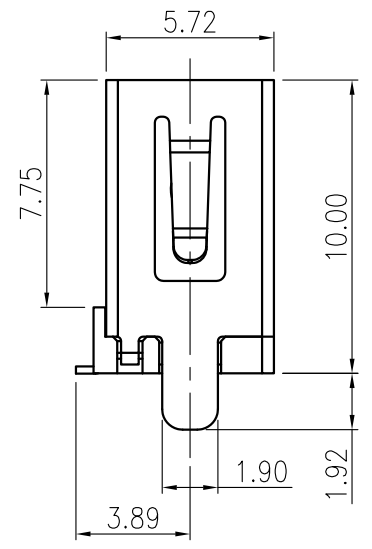
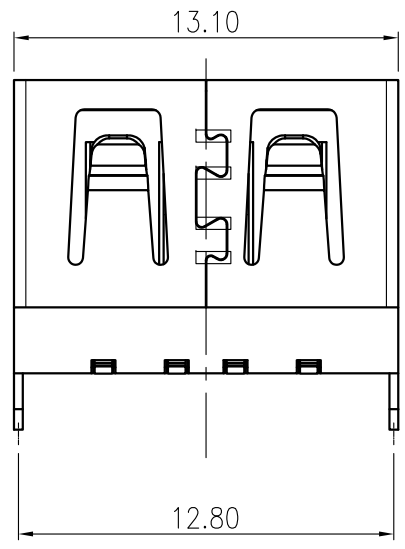


REV.	ECN.NO.	APPD.
A	EXXXXXXXXXXX	chenyiting

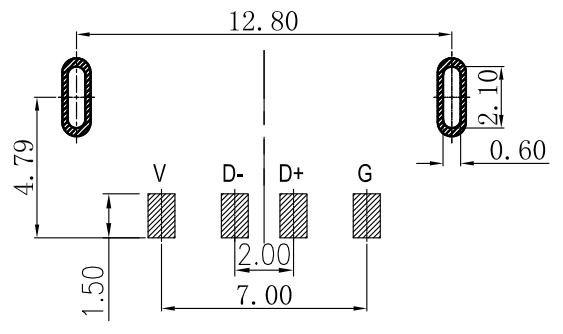
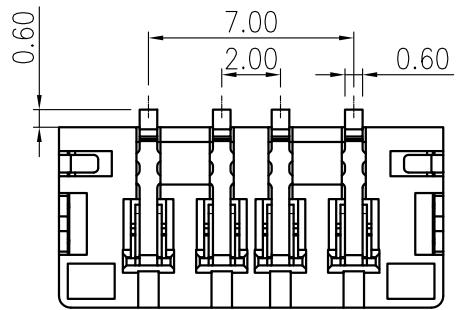


- NOTES:
- MATERIAL:
 - Housing:thermoplastic plastics
 - terminals:Copper Alloy
Gold plated in contact area:
Tin plated in termination
Nickel Plated overall
 - Shell:Steel&Copper Alloy
Nickel Plated overall
 - ELECTRICAL CHARACTERISTICS:
 - Rating Current :1.5 Ampere
 - Rating Voltage :30 V Max
 - Contact Resistance:30 Milli ohms
 - Insulation Resistance:1000 Mega ohms Min.
 - MECHANICAL CHARACTERISTICS:
 - Connector Mating force: 35N MAX(3.57Kgf)
 - Connector unmating force:10N min(1.02Kgf)
 - Durability:1500Cycles.
 - ENVIRONMENT CHARACTERISTICS:
 - Operating temperature:-0°C to +50°C
 - Storage temperature:-20°C to +60°C



U222-0111-G61018

- 1: 吸塑盒
- 1: 铁壳镀镍
- 1: 黑色
- 6: LCP
- G: 半金/Fu



Recommend PCB layout

TOLERANCE UNLESS OTHERWISE SPECIFIED		FLW 深圳市华联威电子科技有限公司			
.XXX ±0.10		HUA LIAN WEI TECHNOLOGY ELECTRONICS CO;LTD.			
.XX ±0.20		.X' ±3'			
.X ±0.30		.XX' ±2'			
APPROVED		PART NAME:	AF 180度 立式SMT 高10.0 无卷边		
CHECKED		PART No:	U222-0111-G61018	C	
DRAWN	chenyiting	PROJECTION:	UNIT:	SCALE:	SHEET
DATE	2023.03.23		mm	1:1	10F1
					REV. A