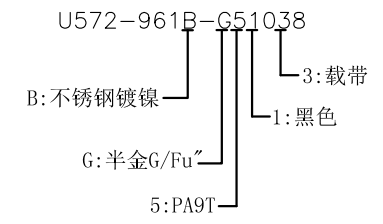
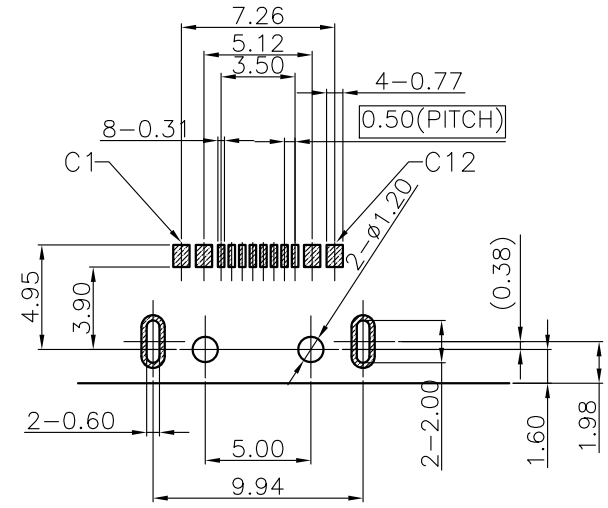
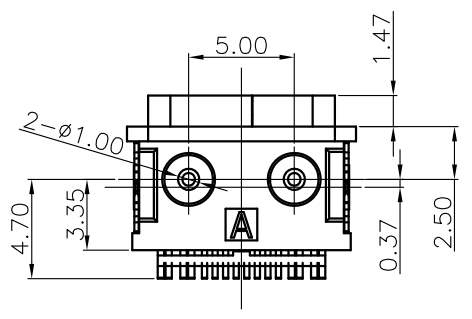
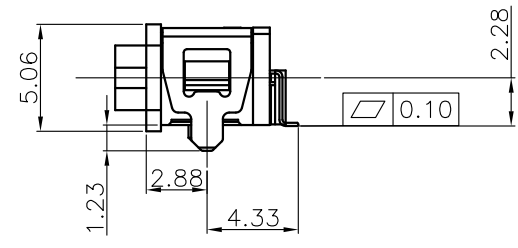
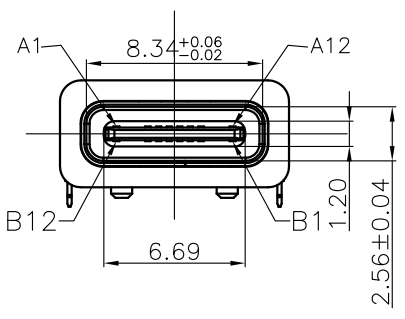
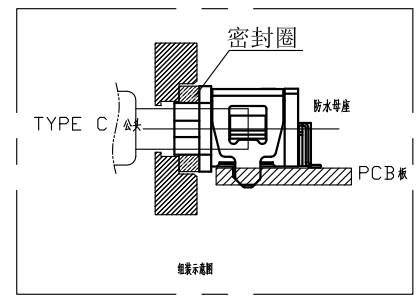
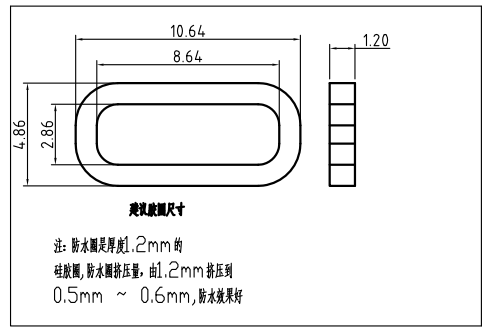
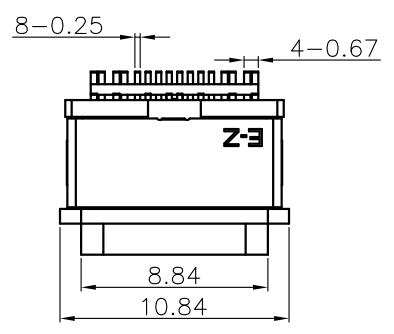


REV.	ECN.NO.	APPD.
A	/	chenyiting



- NOTES:
- MATERIAL:
    - Housing:thermoplastic plastics
    - terminals:Copper Alloy  
Gold plated in contact area:  
Tin plated in termination  
Nickel Plated overall
    - Shell:Steel&Copper Alloy  
Nickel/Au Plated overall
  - characteristics:
    - Rating Voltage : 30V AC.
    - Rating Current:  
5A for Vbus PIN;1.25A for Vconn PIN
    - Contact Resistance:40 mΩ MAX.
    - Insulation Resistance:100 MΩ MIN.
    - Withstanding Voltage:AC 100V
    - Mating force: 5~20N MAX
    - Extraction force:8~20N Min
    - Life test:10000Cycles MIN.
    - Temperature Range: -30℃~+80℃.
- The product must be compliance ROHS



INTERFACE(FRONT VIEW)

A1	A2	A3	A4	A5	A6	A7	A8	A9	A10	A11	A12
GND	VBUS	CC1	DP1	DN1	SBU1	VBUS	GND	GND	GND	GND	GND
B12	B11	B10	B9	B8	B7	B6	B5	B4	B3	B2	B1

PIN ASSIGNMENT

PIN NO.	A1&B12	A4&B9	B8	A5	B7	A6	A7	B6	A8	B5	A9&B4	A12&B1
SINGAL NAME	GND	VBUS	SBU2	CC1	DN2	DP1	DN1	DP2	SBU1	CC2	VBUS	GND
PCB PAD NO.	C1	C2	C3	C4	C5	C6	C7	C8	C9	C10	C11	C12

RECOMMENDED PCB LAYOUT(TOP VIEW)  
THICKNESS T=1.0mm  
DEFAULT TOLERANCE+/-0.05

TOLERANCE UNLESS OTHERWISE SPECIFIED		<b>FLW</b> 深圳市华联威电子科技有限公司 HUA LIAN WEI TECHNOLOGY ELECTRONICS CO;LTD.				
.XXX ±0.10	.XX ±0.20	.X ±0.30	.X' ±3'	.XX' ±2'		
APPROVED		PART NAME:	TYPE C 16P SMT两脚有柱1.0			
CHECKED		PART No:	U572-961B-G51038	C		
DRAWN	chenyiting	PROJECTION:	UNIT:	SCALE	SHEET	REV.
DATE	2023.08.20		mm	1:1	1 OF 1	A