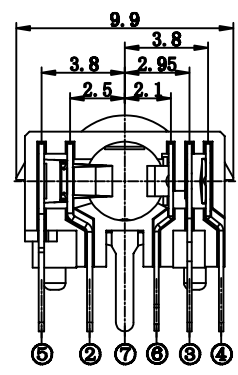
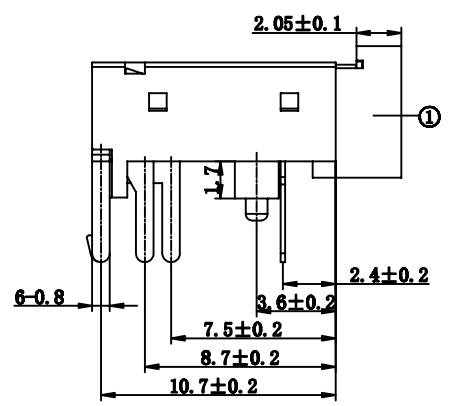
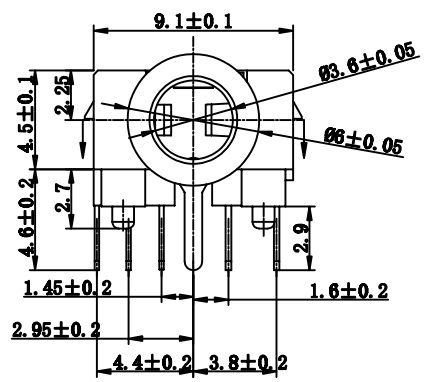
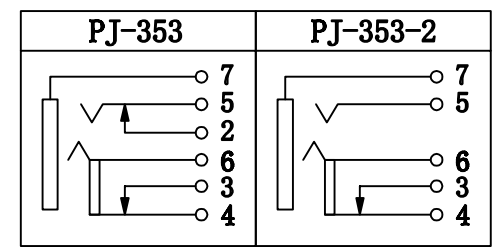
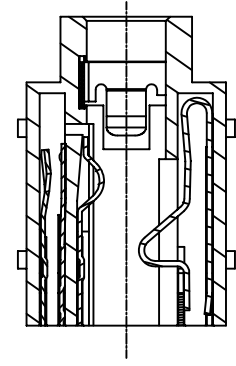
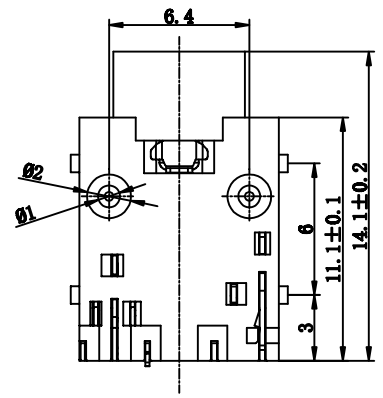
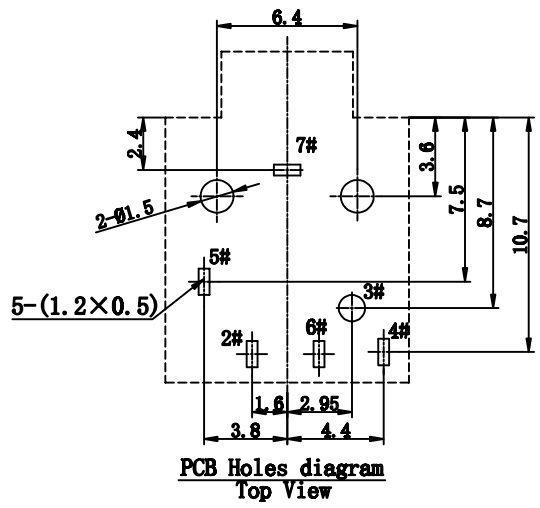


REV.	ECN.NO.	APPD.
A0	/	/

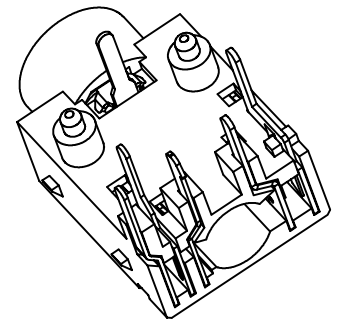


**SPECIFICATION**

1. Rating : DC 30V 0.5A;
2. Contact resistance:  $\leq 0.03\Omega$ ;
3. Insulation resistance:  $\geq 100M\Omega$  (DC250V);
4. Withstand voltage: 500VAC ;
5. Insertion and extraction force: 3-20N;
6. life test: 5,000 cycles.



**SCHMATIC**



TOLERANCE UNLESS OTHERWISE SPECIFIED		<b>FLW</b> 深圳市华联威电子科技有限公司				
.XXX ±0.10 .XX ±0.20 .X ±0.30		HUA LIAN WEI TECHNOLOGY ELECTRONICS CO;LTD.				
.X' ±3' .XX' ±2'		PART NAME:		PJ-353 加高		
APPROVED		PART No:		JK1-161-C918		C
CHECKED		DRAWN	weihong	PROJECTION:	UNIT:	SCALE
DATE	2021. 7. 23				mm	1:1
					10F1	REV. A0