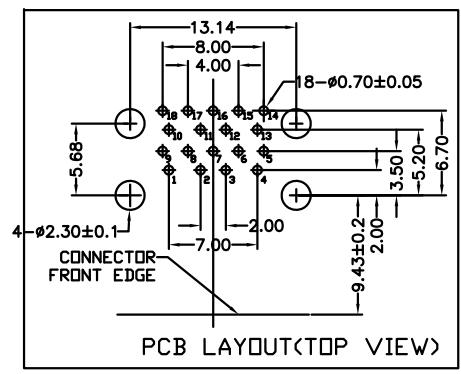
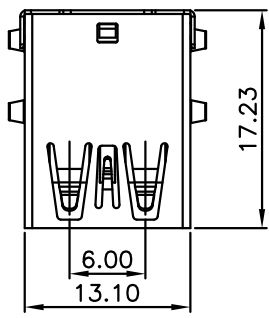


REV.	ECN.NO.	APPD.
A	/	pcy
A1	/	LJF



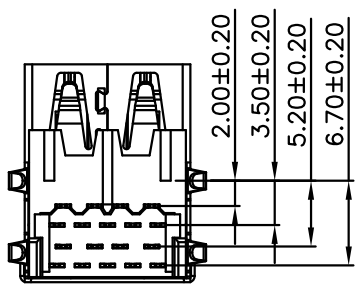
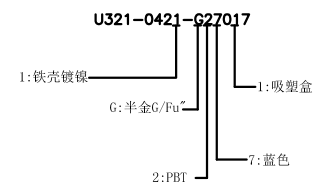
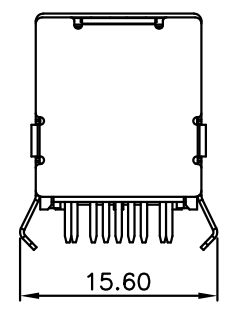
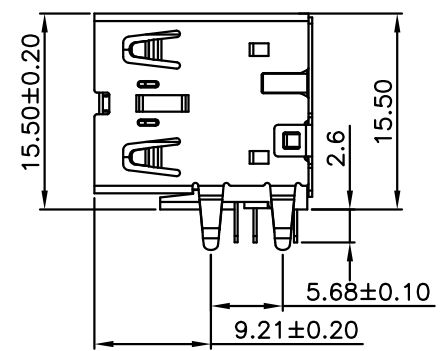
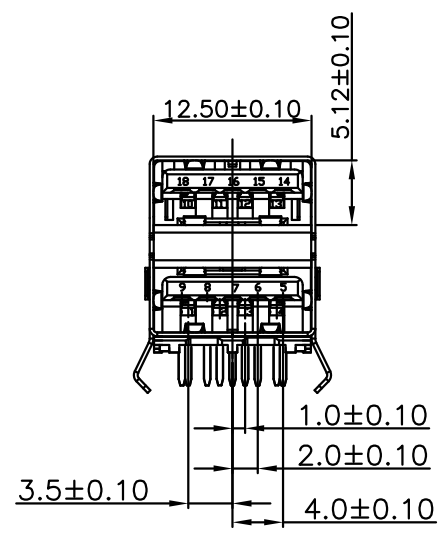
Remark:

1.MATERIAL:

- Housing:thermoplastic plastics.
- terminals:Copper Alloy
- Front Shell:Copper Alloy/SPCC.  
Middle Shell:SPCC

2.characteristics:

- Rating Voltage : 30V AC.
- Rating Current:PIN1&PIN4(Vbus&Correponding ground PIN)  
1.8A MAX Other PINS 0.25A min.
- Contact Resistance:PIN1&PIN4:30 mΩ MAX. Other PINS: 50 mΩ
- Insulation Resistance:100 MΩ MIN.
- Withstanding Voltage:AC 100V between adjacent contacts
- Mating force: 3.57Kgf MAX(35N MAX)
- Extraction force:1Kgf Min(9.8N Min)
- Life test:1500Cycles MIN.
- Temperature Range: -30℃~+80℃.



TOLERANCE UNLESS OTHERWISE SPECIFIED		<b>FLW</b> 深圳市华联威电子科技有限公司			
.XXX ±0.10 .XX ±0.20 .X ±0.30		.X' ±3' .XX' ±2'		HUA LIAN WEI TECHNOLOGY ELECTRONICS CO.,LTD.	
APPROVED		PART NAME:	USB 3.0AF 90度双层无卷边		
CHECKED		PART No:	U321-0421-G27017	C	
DRAWN	Lijinfeng	PROJECTION:	UNIT:	SCALE	SHEET
DATE	2021.08.03		mm	1:1	10F1
					REV. A1