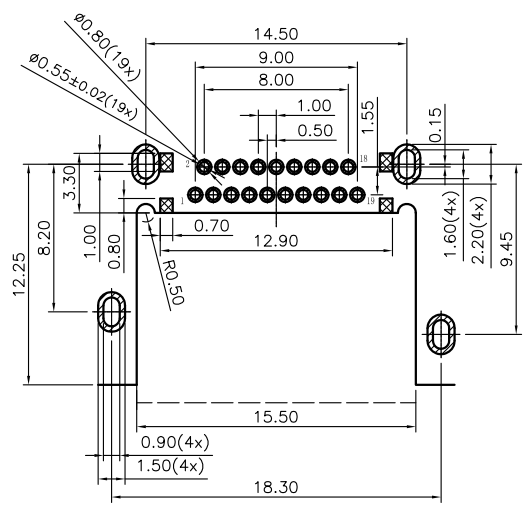
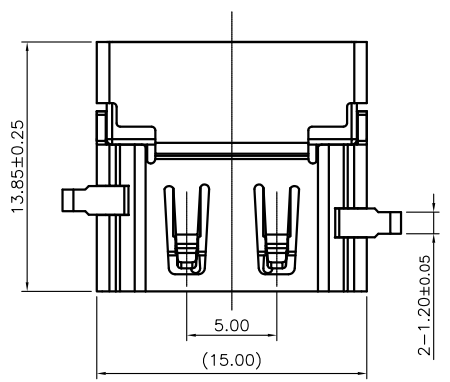
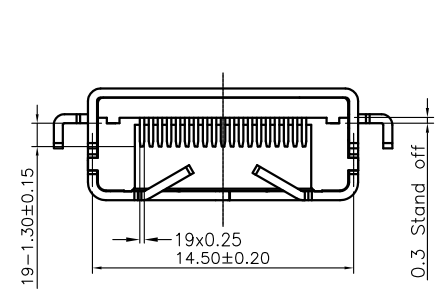
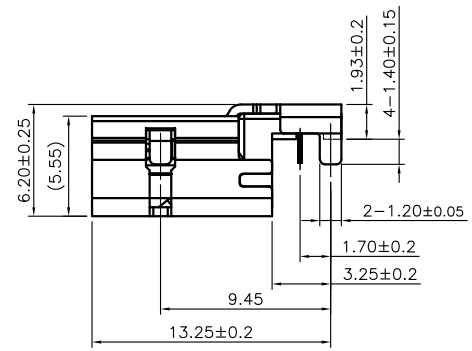
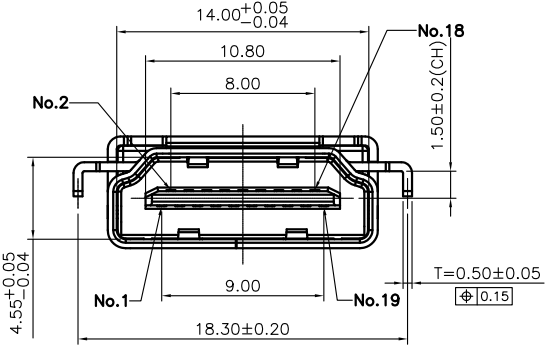


REV.	ECN.NO.	APPD.
A	XXXXXXXXXX	yangguifeng

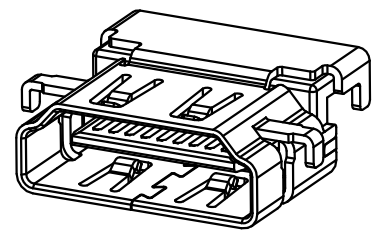
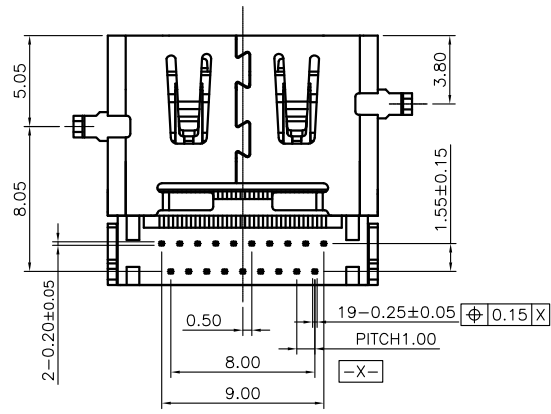


RECOMMENDED P.C.B LAYOUT(±0.05)

- NOTES:
- MATERIAL:
    - Housing:thermoplastic plastics
    - terminals:Copper Alloy  
Gold plated in contact area:  
Tin plated in termination  
Nickel Plated overall
    - Shell:Steel&Copper Alloy  
Nickel/Au Plated overall
  - ELECTRICAL CHARACTERISTICS:
    - Rating Current :0.5 Ampere
    - Rating Voltage :40 V Max
    - Contact Resistance:30 Milli ohms
    - Insulation Resistance:100 Mega ohms Min.
  - MECHANICAL CHARACTERISTICS:
    - Connector Mating force: 4.5kg MAX
    - Connector Unmating force:1.0Kg min
    - Durability:10000Cycles.
  - ENVIRONMENT CHARACTERISTICS:
    - Operating temperature:-20°C to +85°C
    - Storage temperature:-20°C to +65°C



HD2B-031B-G61038  
 B: 不锈钢镀镍  
 G: 半金G/Fu  
 3: 载带  
 1: 黑色  
 6: LCP



TOLERANCE UNLESS OTHERWISE SPECIFIED		<b>FLW</b> 深圳市华联威电子科技有限公司				
.XXX ±0.10		HUA LIAN WEI TECHNOLOGY ELECTRONICS CO;LTD.				
.XX ±0.20		.X' ±3'				
.X ±0.30		.XX' ±2'				
APPROVED		PART NAME:	HDMI 19P 90度沉板			
CHECKED		PART No:	HD2B-031B-G61038	C		
DRAWN	yangguifeng	PROJECTION:	UNIT:	SCALE	SHEET	REV.
DATE	2021.12.01		mm	1:1	1 OF 1	A