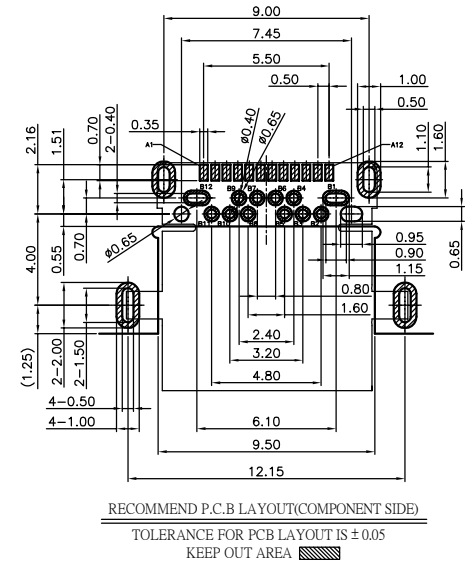
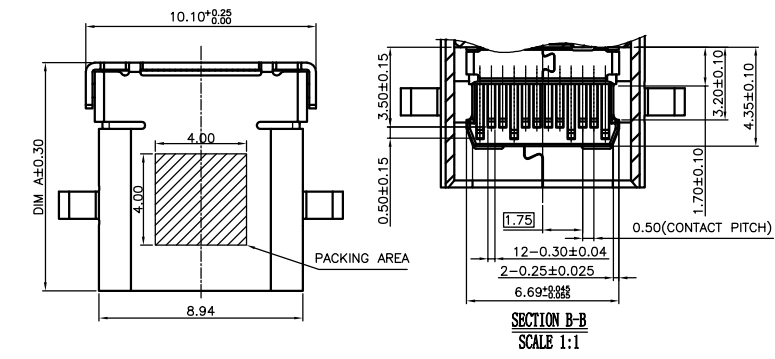
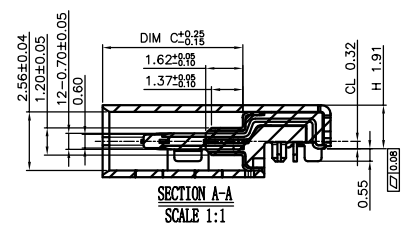
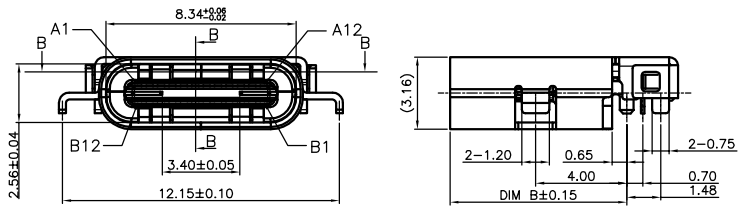


REV.	ECN.NO.	APPD.
A	EXXXXXXXXXX	chenyiting



- NOTES:
- MATERIAL:
 - Housing: thermoplastic plastics
 - terminals: Copper Alloy
Gold plated in contact area:
Tin plated in termination
Nickel Plated overall
 - Shell: Steel & Copper Alloy
Nickel/Au Plated overall
 - characteristics:
 - Rating Voltage : 30V AC.
 - Rating Current:
5A for Vbus PIN; 1.25A for Vconn PIN
 - Contact Resistance: 40 mΩ MAX.
 - Insulation Resistance: 100 MΩ MIN.
 - Withstanding Voltage: AC 100V
 - Mating force: 5~20N MAX
 - Extraction force: 8~20N Min
 - Life test: 10000 Cycles MIN.
 - Temperature Range: -30°C ~ +80°C.
- The product must be compliance ROHS

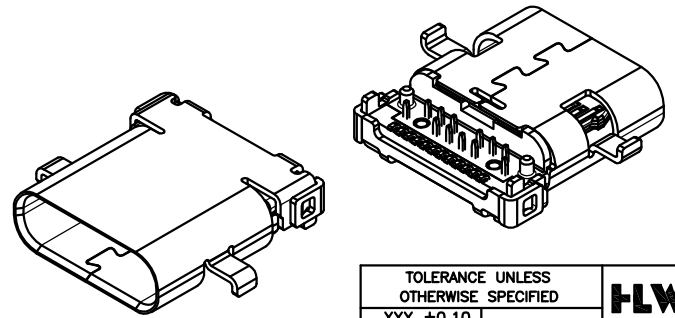
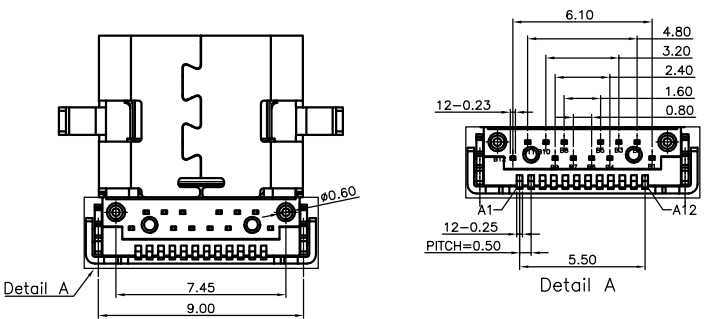


U521-111B-G61018

B: 不锈钢壳镀镍
G: 半金G/Pu
6: LCP

1: 吸塑盒
1: 黑色

PIN	Signal Name	Description	PIN	Signal Name	Description
A1	GN0	Ground return	B12	GN0	Ground return
A2	SSTUp1	Positive half of first SuperSpeed TX differential pair	B11	SSTUp1	Positive half of first SuperSpeed TX differential pair
A3	SSTUn1	Negative half of first SuperSpeed TX differential pair	B10	SSTUn1	Negative half of first SuperSpeed TX differential pair
A4	Vns	Bus Power	B9	Vns	Bus Power
A5	CC1	Configuration Channel	B8	SBC2	Sideband Use (SBC)
A6	Dp1	Positive half of the USB 2.0 differential pair-Position 1	B7	Dn2	Negative half of the USB 2.0 differential pair-Position 2
A7	Dn1	Negative half of the USB 2.0 differential pair-Position 1	B6	Dp2	Positive half of the USB 2.0 differential pair-Position 2
A8	SBC1	Sideband Use (SBC)	B5	CC2	Configuration Channel
A9	Vns	Bus Power	B4	Vns	Bus Power
A10	SSTUn2	Negative half of second SuperSpeed TX differential pair	B3	SSTUn2	Negative half of second SuperSpeed TX differential pair
A11	SSTUp2	Positive half of second SuperSpeed TX differential pair	B2	SSTUp2	Positive half of second SuperSpeed TX differential pair
A12	GN0	Ground return	B1	GN0	Ground return



TOLERANCE UNLESS OTHERWISE SPECIFIED	
.XXX ±0.10	.X' ±3'
.XX ±0.20	.XX' ±2'
.X ±0.30	

HLW 深圳市华联威电子科技有限公司
HUA LIAN WEI TECHNOLOGY ELECTRONICS CO;LTD.

APPROVED		PART NAME:	TYPE C 24P半插半贴沉板1.5有柱			
CHECKED		PART No:	U521-111B-G61018			C
DRAWN	chenyiting	PROJECTION:	UNIT:	SCALE	SHEET	REV.
DATE	2023.06.02		mm	1:1	10F1	A