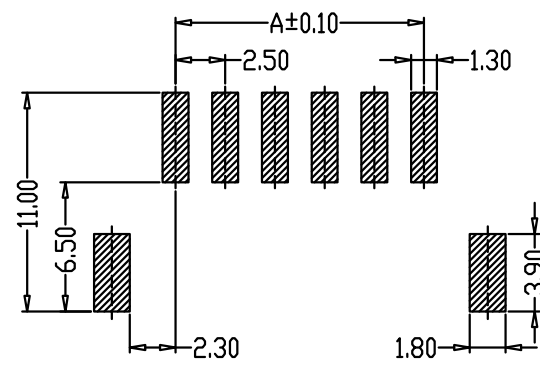
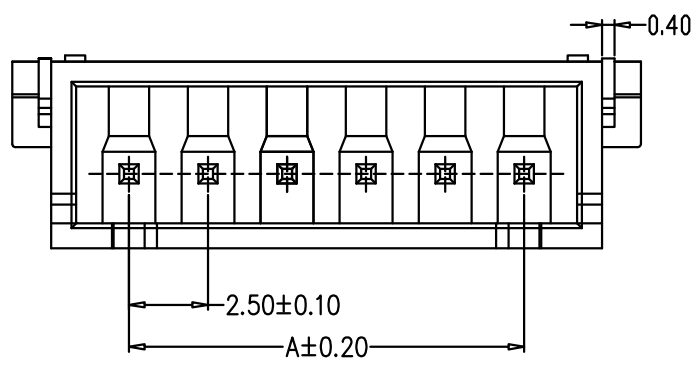
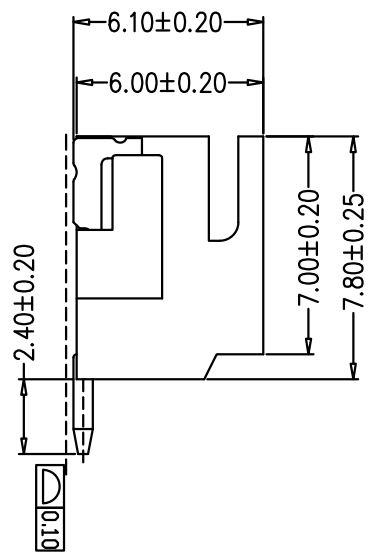
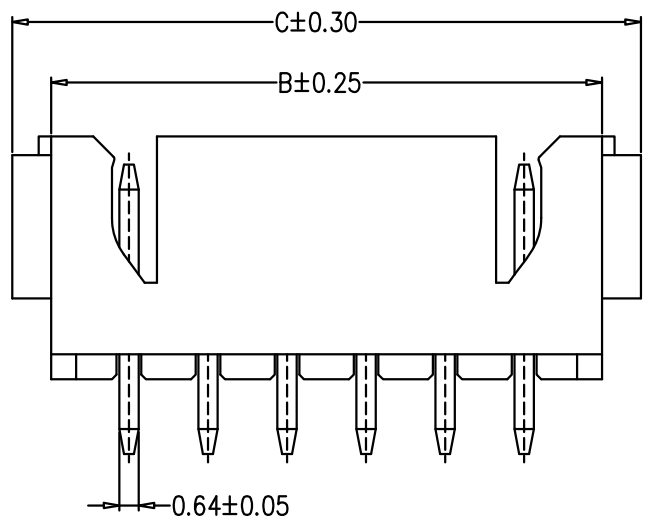


REV.	ECN.NO.	APPD.
A	/	/

- 技术指标 (Technical Index) :
1. 工作温度 (Temperature range) : -25° C-85° C.
 2. 额定电压 (Rated voltage) : 250V DC/AC (rms)
 3. 额定电流 (Rated current) : 5A AC, DC
 4. 接触阻抗 (CONTACT Resistance) : $\leq 25M\Omega$
 5. 耐压值 (Withstanding voltage) : 1500V AC/minute
 6. 绝缘阻抗 (Insulation resistance) $\geq 1000M\Omega$

216104-1024-G63038
 G: 镀锡
 6: LCP
 3: 米黄色



PCB LAYOUT

编号	尺寸 (mm)		
	A	B	C
A2501WF-02A	2.50	7.50	10.00
A2501WF-03A	5.00	10.00	12.50
A2501WF-04A	7.50	12.50	15.00
A2501WF-05A	10.00	15.00	17.50
A2501WF-06A	12.50	17.50	20.00
A2501WF-07A	15.00	20.00	22.50
A2501WF-08A	17.50	22.50	25.00
A2501WF-09A	20.00	25.00	27.50
A2501WF-10A	22.50	27.50	30.00
A2501WF-11A	25.00	30.00	32.50
A2501WF-12A	27.50	32.50	35.00
A2501WF-20A	47.50	52.50	55.00

TOLERANCE UNLESS OTHERWISE SPECIFIED		FLW 深圳市华联威电子科技有限公司			
.XXX ± 0.10		HUA LIAN WEI TECHNOLOGY ELECTRONICS CO;LTD.			
.XX ± 0.20		.X' $\pm 3'$			
.X ± 0.30		.XX' $\pm 2'$			
APPROVED		PART NAME:	针座 2.50间距 6P		
CHECKED		PART No:	216104-1024-G63038	C	
DRAWN	weihong	PROJECTION:	UNIT:	SCALE:	SHEET:
DATE	2021.9.23		mm	1:1	10F1
					REV. A