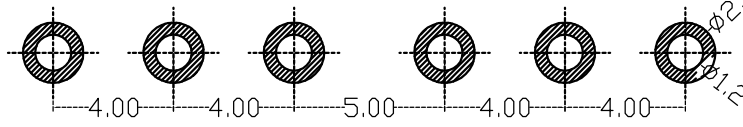
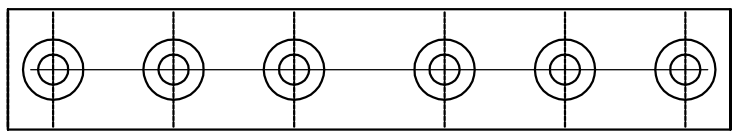
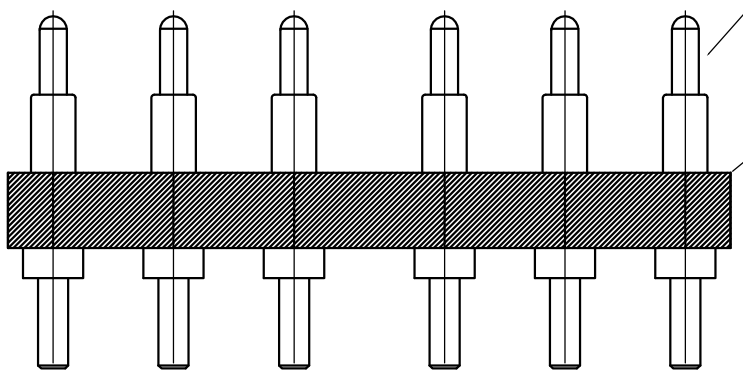
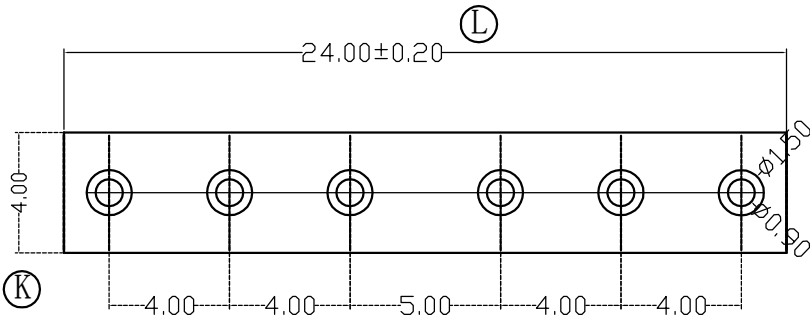


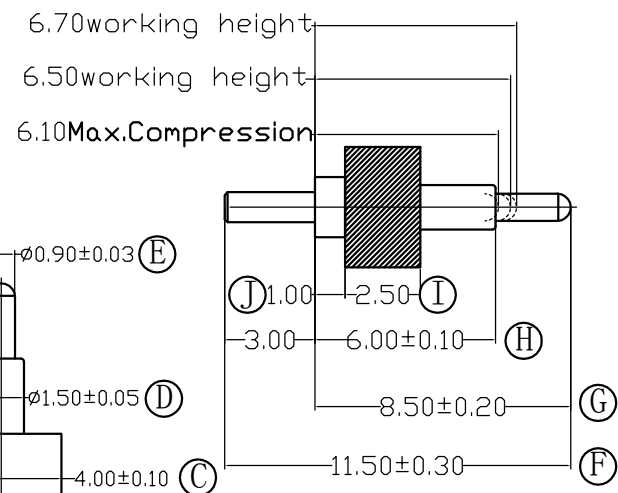
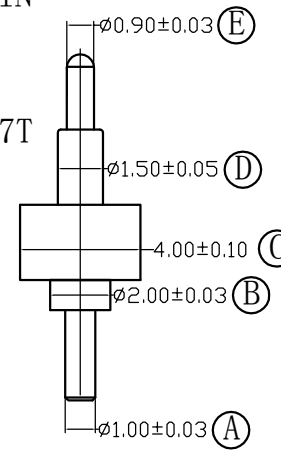
| | | |
|------|---------|-------|
| REV. | ECN.NO. | APPD. |
| A | / | ZFY |



RECOMMEND PCB LAYOUT
Layout Tolerance: ± 0.05mm

探针 POGO PIN

胶芯: PA97T



- NOTE
- Material
Plunger: Brass C3604
Barrel: Brass C3604
Spring: SUS304
Housing: PA9T
 - Plating
Plunger: 6 micro-inch minimum Au over 50 micro-inch nickel
Barrel: 6 micro-inch minimum Au over 50 micro-inch nickel
 - Electrical
Rated current & voltage: DC 12V; 1A Max.
Contact resistance: 50 mohm maximum at normal working height (quiescence)
 - Mechanical
Spring force: 0.6N at normal working height (1.8mm)
Spring force: 0.65N at normal working height (2.0mm)
Durability: 10,000 cycles (minimum)
 - To ensure the best usage, please operate it based on the working height Based on the engineering drawings, shall not exceed the maximum allowed compression
 - To avoid arcing issue, The adaptor start to power supply after connector mated fully.
 - RoHS compliant product.

304206-0010-198
G: 镀半金G/Fu
9: PA9T黑色

| | | | | | |
|--------------------------------------|-------------|---|-------------------------------|--------|--------|
| TOLERANCE UNLESS OTHERWISE SPECIFIED | | FLW 深圳市华联威电子科技有限公司 | | | |
| .XXX ±0.15 .XX ±0.20 .X ±0.30 | | HUA LIAN WEI TECHNOLOGY ELECTRONICS CO;LTD. | | | |
| APPROVED | | PART NAME: | DP20-1150-1-W01-3-6P4.0PH2.5H | | |
| CHECKED | | PART No: | 304206-0010-198 | | C |
| DRAWN | ZhangFenYan | PROJECTION: | UNIT: | SCALE: | SHEET |
| DATE | 2018.10.10 | | mm | 1:1 | 10F1 |
| | | | | | REV. A |

由 Autodesk 教育版产品制作

由 Autodesk 教育版产品制作