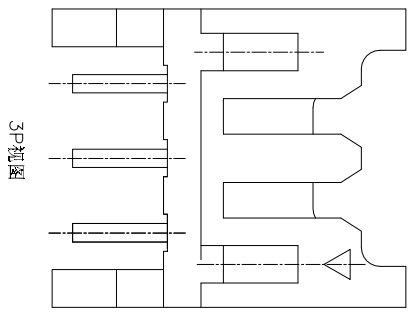
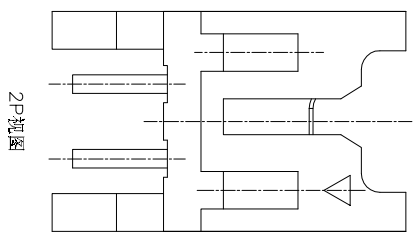
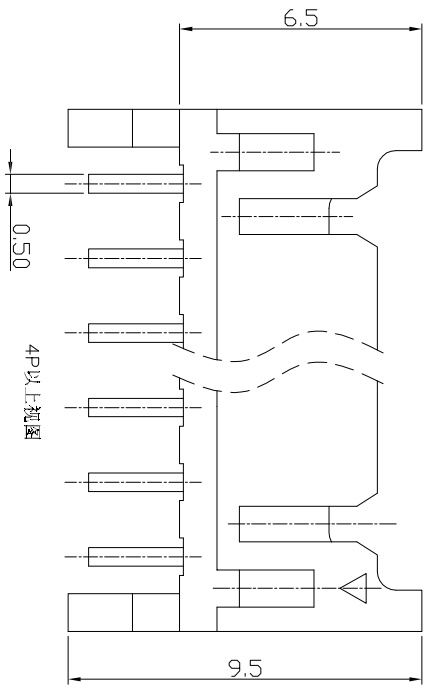
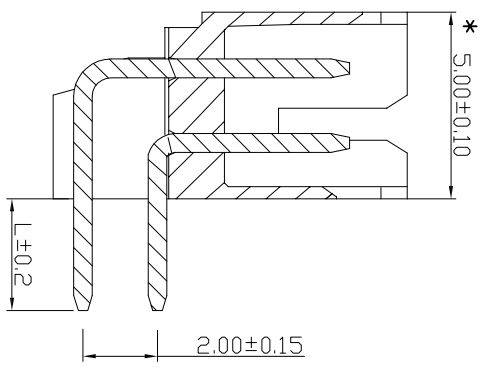
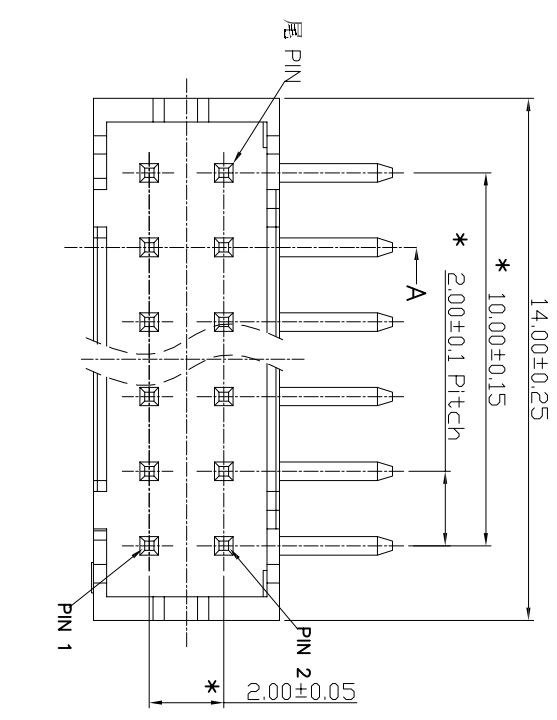


REV.	ECN.NO.	APPD.
A	/	/

216104-1110-XXX018

- 1: Au 1u"
- 3: Au 3u"
- 5: Au 5u"
- 7: Au 10u'
- 8: Au 15u"
- A: Au 30u"
- G: Su
- 1: Black
- 2: White
- 3: Beige
- 4: Gray
- 3: PA66
- 2: PBT
- 6: LCP



TOLERANCE UNLESS OTHERWISE SPECIFIED		HUA LIAN WEI TECHNOLOGY ELECTRONICS CO.,LTD.	
XXX ±0.10	.XX ±.2	HLW 深圳市华联威电子科技有限公司 HUA LIAN WEI TECHNOLOGY ELECTRONICS CO.,LTD.	
.X	.XX ±.2		
APPROVED	PART NAME:	针座2.0DIP双排弯针2×8P	
CHECKED	PART No:	216104-1110-XXX018	
DRAWN	PROJECTION:	UNIT:	SCALE
DATE	2021.9.23	mm	1:1

A	9	8	7	6	5	4	3	2	1
---	---	---	---	---	---	---	---	---	---