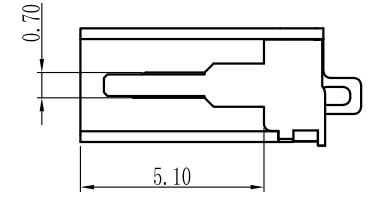
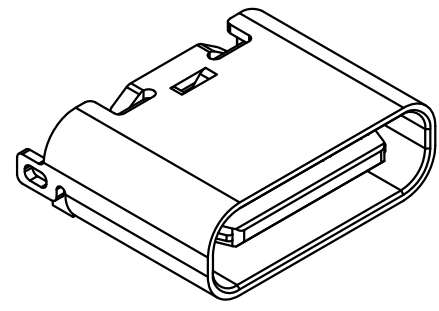
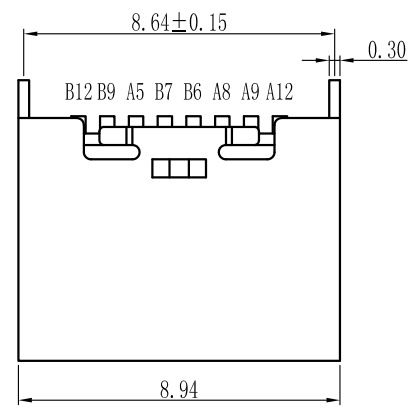


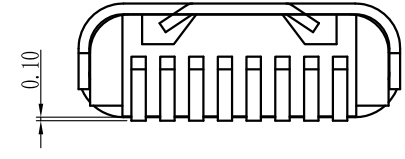
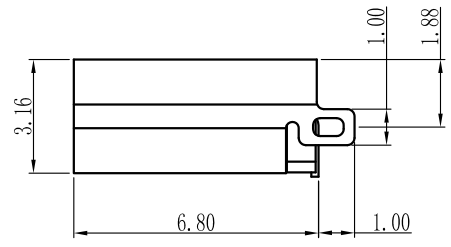
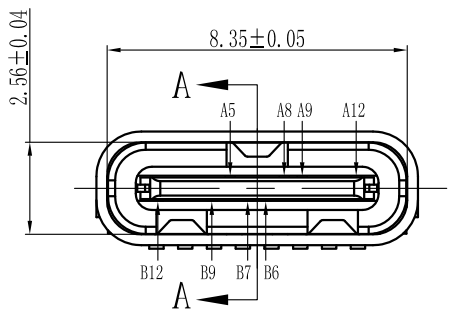
REV.	ECN. NO.	APPD.
A	EXXXXXXXXXX	yangguifeng

A5	CC1	B12	GND
A8	SBU1	B9	VBUS
A9	VBUS	B7	DN2
A12	GND	B6	DP2
PIN	SIGNAL NAME	PIN	SIGNAL NAME

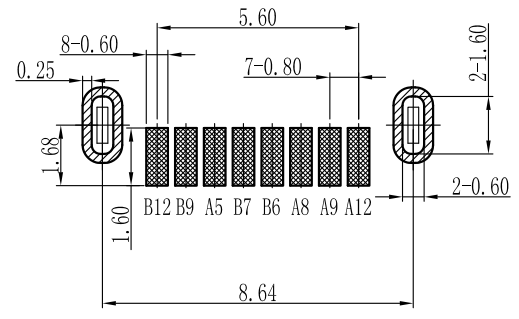
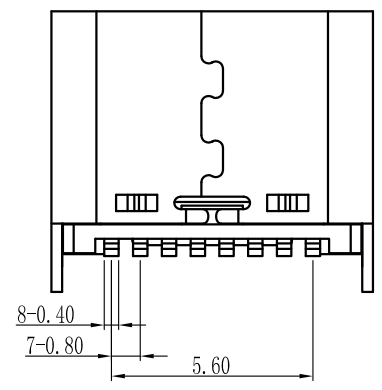
NOTES:
 1. MATERIAL:
 1.1 Housing:thermoplastic plastics
 1.2 terminals:Copper Alloy
 Gold plated in contact area:
 Tin plated in termination
 Nickel Plated overall
 1.3 Shell:Steel&Copper Alloy
 Nickel/Au Plated overall
 2. characteristics:
 2.1 Rating Voltage : 30V AC.
 2.2 Rating Current:
 5A for Vbus PIN;1.25A for Vconn PIN
 2.3 Contact Resistance:40 mΩ MAX.
 2.4 Insulation Resistance:100 MΩ MIN.
 2.5 Withstanding Voltage:AC 100V
 2.6 Mating force: 5~20N MAX
 2.7 Extraction force:8~20N Min
 2.8 Life test:10000Cycles MIN.
 2.9 Temperature Range: -30℃~+80℃.
 The product must be compliance ROHS



A-A



U574-281B-G61038
 B: 不锈钢镀镍
 G: 半金G/Fu
 6:LCP
 3: 载带
 1: 黑色



PCB板参考图

TOLERANCE UNLESS OTHERWISE SPECIFIED		FLW 深圳市华联威电子科技有限公司				
.XXX ±0.10		HUA LIAN WEI TECHNOLOGY ELECTRONICS CO;LTD.				
.XX ±0.20		.X° ±3°				
.X ±0.30		.XX° ±2°				
APPROVED		PART NAME:	TYPE C 8P/F 立贴H6.8			
CHECKED		PART No:	U574-281B-G61038			C
DRAWN	yangguifeng	PROJECTION:	UNIT:	SCALE	SHEET	REV.
DATE	2021.12.01		mm	1:1	1 OF 1	A