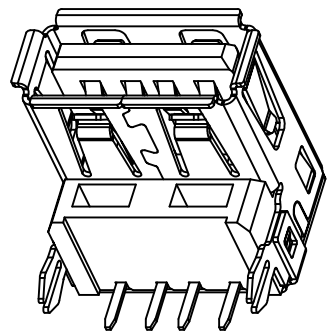
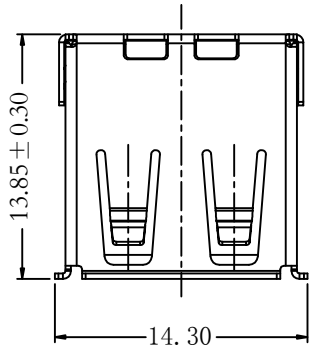


REV.	ECN.NO.	APPD.
A0	/	/



NOTES:

1. MATERIAL SPECIFICATION:

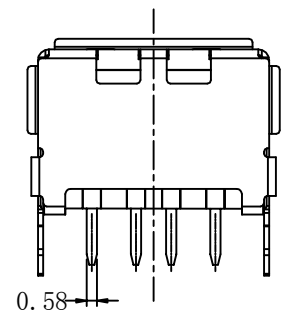
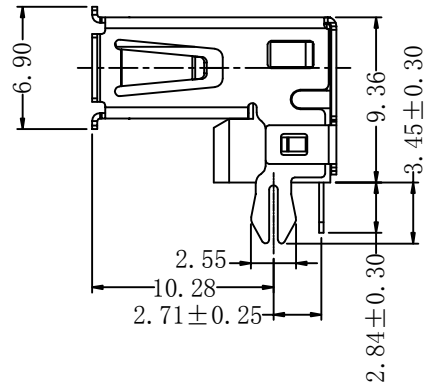
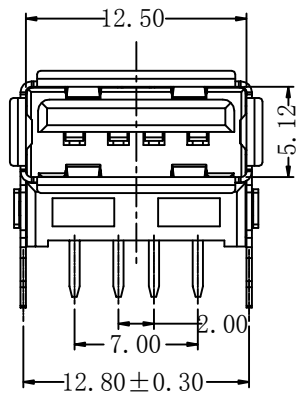
- 1) HOUSING MATERIAL:BLACK PBT ROHS;
- 2) SHELL MATERIAL:SPCC T=0.30
PLATING:NICKE;
- 3) TERMINAL: C5191 T=0.25
PLATING:SEMI GOLD TIN G/F;

2. ELECTRICAL CHARACTERISTIC:

- 1) INSULATION RESISTANCE: 1000MΩ MIN;
- 2) CONTACT RESISTANCE: 30mΩ MAX;
- 3) WITHSTANDING VOLTAGE: 500V AC;

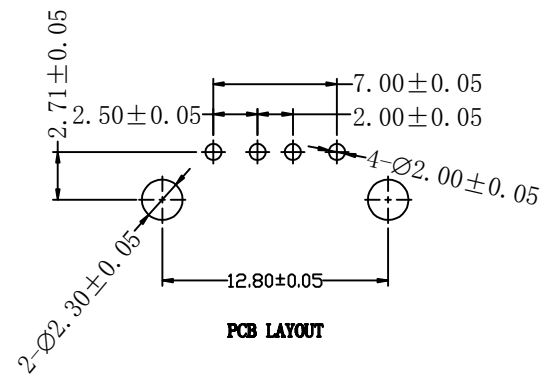
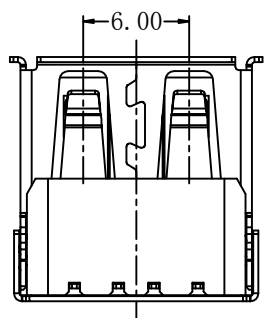
3. MECHANICAL CHARACTERISTICS:

- 1) INSERTION FORCE:3.57Kgf Max;
- 2) EXTRACTION FORCE:1.02Kgf Min;



U221-163X-XXXOX7

- 1:铁壳镀镍
- 5:铜壳镀镍
- 4:铁壳镀金
- 8:铜壳镀金
- 1:半金1u"
- 3:半金3u"
- G:G/F
- 1:吸塑盒
- 8:载带
- 1:黑色
- 3:米黄色
- 1:PA66
- 2:PBT
- 6:LCP



TOLERANCE UNLESS OTHERWISE SPECIFIED	
.XXX ±0.10	.X' ±3'
.XX ±0.20	.XX' ±2'
.X ±0.30	

FLW 深圳市华联威电子科技有限公司
HUA LIAN WEI TECHNOLOGY ELECTRONICS CO;LTD.

APPROVED		PART NAME:	USB 2.0 AF 90度加高型			
CHECKED		PART No:	U221-1635-G21017		C	
DRAWN		PROJECTION:	UNIT:	SCALE:	SHEET:	REV.
DATE			mm	1:1	10F1	A0