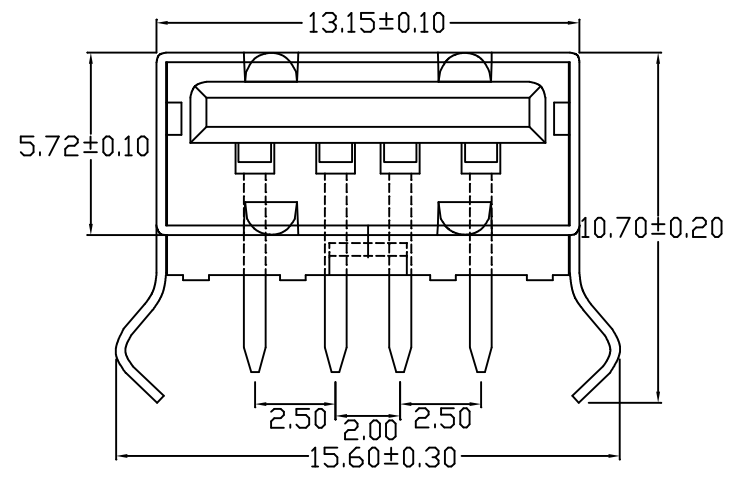
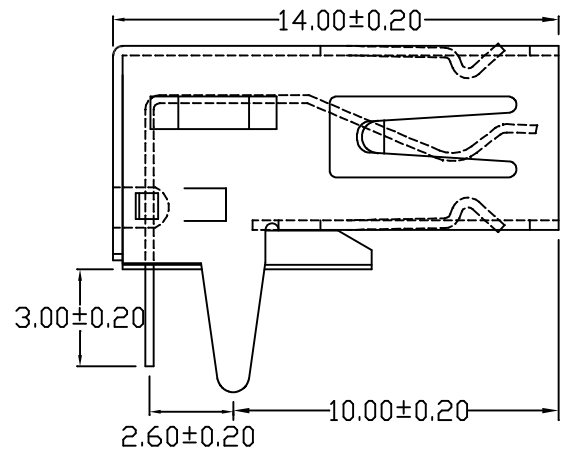
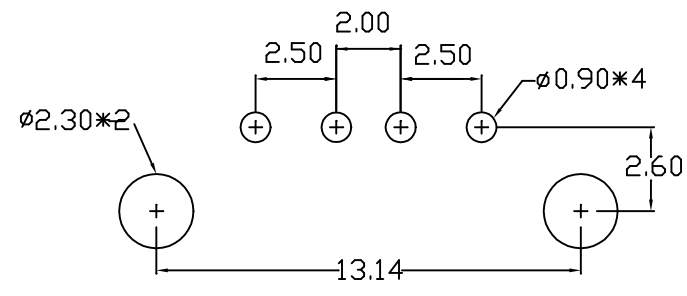
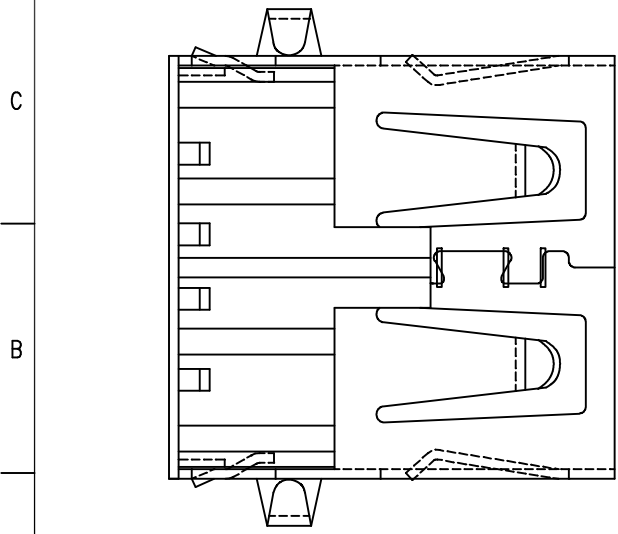


| | | |
|------|---------|-------|
| REV. | ECN.NO. | APPD. |
| A0 | / | / |



规格说明: Specifications:
 电气特性: Electrical:
 1. 额定电流: Current Rating
 1.5A/contact terminal
 2. 额定电压: Voltage Rating
 30 DC
 3. 接触阻抗: Contact Resistance
 30 milliohms MAX
 4. 耐电压: Dielectric Withstanding Voltage:
 500 V AC AT Sea Level
 5. 绝缘阻抗: Insulation Resistance:
 1000MEGA ohms MIN
 原材料: Material:
 1. 塑胶: Housing:
 High Temperature Thermoplastics,
 PBT/LCP BLACK/WHITE
 2. 端子: Contact: Copper Alloy C2680
 3. 外壳: Shell: SPCC/COPPER ALLOY C2680
 电镀: Finish:
 1. 端子: Contact: Plated Gold In Mating Area;
 Tin On Solder Tails
 2. 外壳: Shell:
 Nickel Plating



U221-962X-XXX0X7

- 1: 铁壳镀镍
- 5: 铜壳镀镍
- B: 不锈钢镀镍
- 1: 半金1u"
- 3: 半金3u"
- 5: 半金5u"
- 7: 半金10u"
- 8: 半金15u"
- A: 半金30u"
- G: 半金G/Fu"
- 1: 吸塑盒
- 2: 吸塑管
- 8: 载带
- 9: 载带+贴麦拉
- 1: 黑色
- 2: 白色
- 3: 米黄色
- 2: PBT
- 6: LCP

| TOLERANCE UNLESS OTHERWISE SPECIFIED | |
|--------------------------------------|----------|
| .XXX ±0.10 | .X' ±3' |
| .XX ±0.20 | .XX' ±2' |
| .X ±0.30 | |

FLW 深圳市华联威电子科技有限公司
 HUA LIAN WEI TECHNOLOGY ELECTRONICS CO.,LTD.

| | | | | | | |
|----------|--|-------------|-------------------|--------|--------|-------|
| APPROVED | | PART NAME: | USB AF弯脚有盖无卷边白铁I款 | | | |
| CHECKED | | PART No: | U221-962X-XXX017 | | | C |
| DRAWN | | PROJECTION: | UNIT: | SCALE: | SHEET: | REV.: |
| DATE | | | mm | 1:1 | 10F1 | A0 |