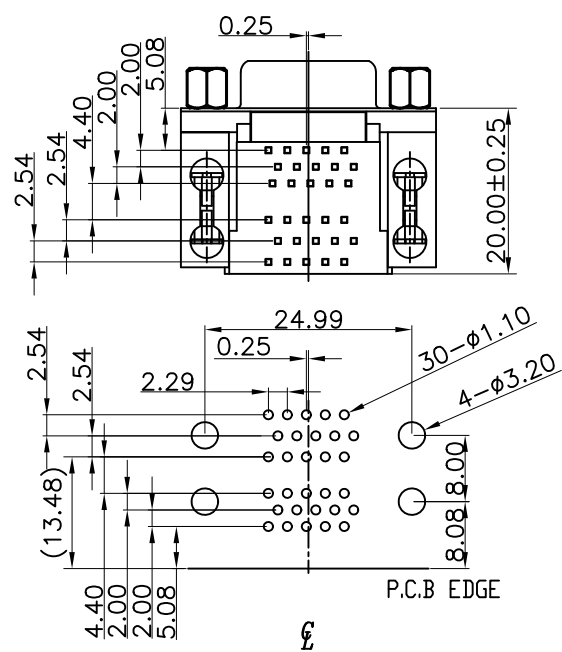
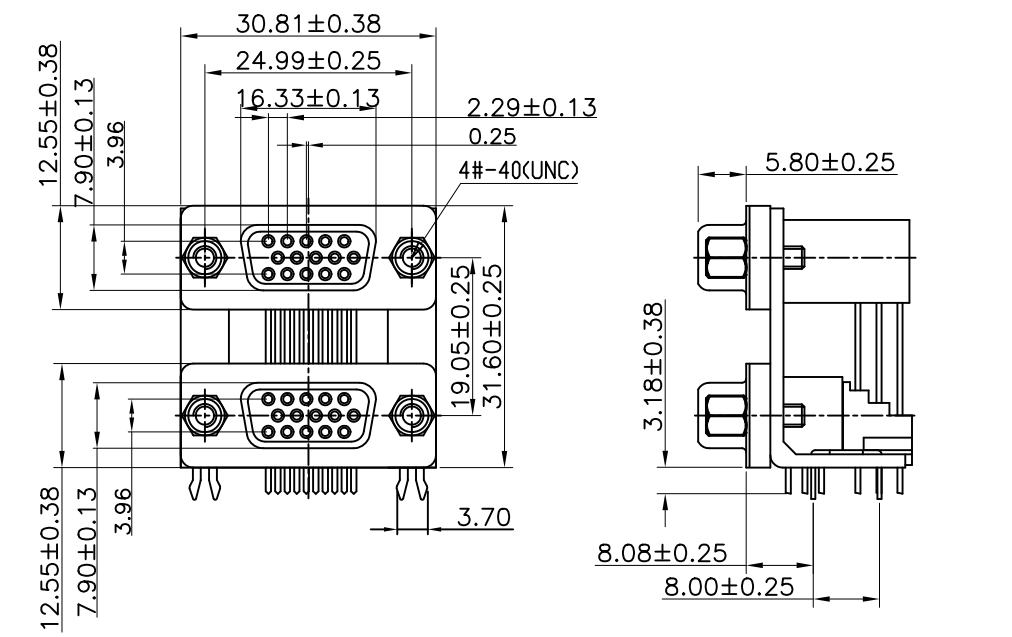


REV.	ECN.NO.	APPD.
A	/	ZDC



RECOMMENDED P.C.B LAYOUT
INSPECTION DIMENSION:(A)~(L)

SPECIFICATIONS

ELECTRICAL CHARACTERISTICS:

Contact Current Rating:3 Amperes.
Dielectric Withstanding Voltage: AC 1000/60sec.r.m.s.
Insulation Resistance:1000 Megohms Minimum.at DC 500V.
Contact Resistance:25 Milliohms Maximum.
Operating Temperature:-55°C to+105°C.

MECHANICAL CHARACTERISTICS:

Contact Insertion Force:341 g.Maximum.
Contact Separation Force:21 g.Minimum.

MATERIALS:

Contacts:Brass.
Insulator: PBT Or High Temperature Plastic
UL 94V-0 Rated.
Shell:Cold Roller Steel.
FINISHES:
Contact:Gold Flash Or Full Gold.
Shell:Tin Or Nickel Plated.

TOLERANCE UNLESS OTHERWISE SPECIFIED		FLW 深圳市华联威电子科技有限公司			
.XXX ±0.13 .XX ±0.25 .X ±0.30		.X' ±3' .XX' ±2'		HUA LIAN WEI TECHNOLOGY ELECTRONICS CO;LTD.	
APPROVED		PART NAME:	D-SUB 15F 双层 (5.08) 19.05*8.0 叉型半金铆锁4.8*11.8 铁螺丝 黑色		
CHECKED		PART No:	DS812-5010-12D01	C	
DRAWN	ZhouDachao	PROJECTION:	UNIT:	SCALE	SHEET
DATE	2017.03.28		mm	1:1	1 OF 1
					REV. A