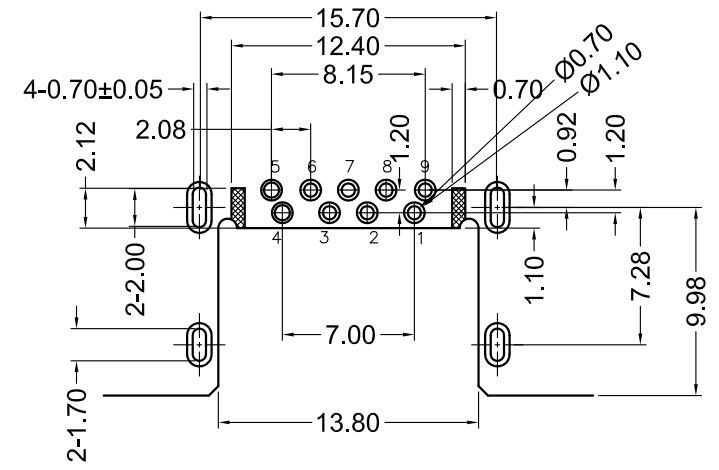
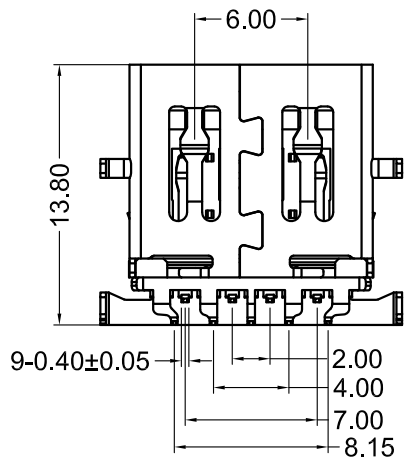
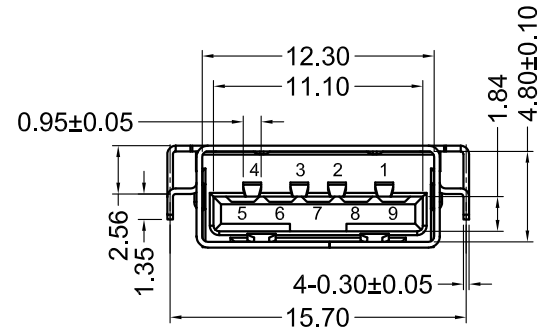
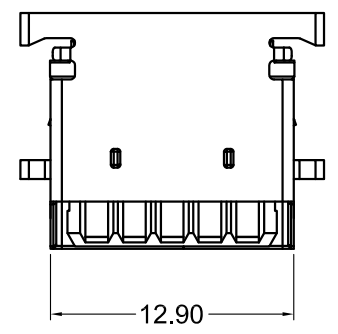
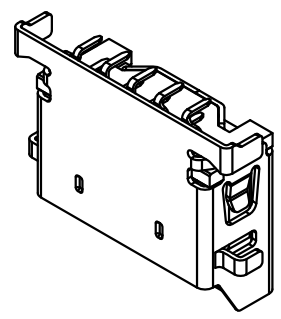
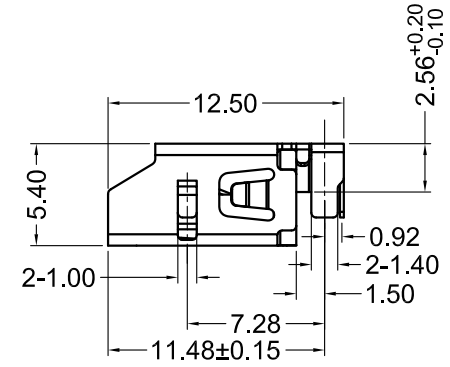


REV.	ECN.NO.	APPD.
A	/	/



**RECOMMENDED PCB LAYOUT**



- Remark:
- MATERIAL:
    - Housing:thermoplastic plastics.
    - terminals:Copper Alloy
    - Front Shell:Copper Alloy/SPCC.  
Middle Shell:SPCC
  - characteristics:
    - Rating Voltage : 30V AC.
    - Rating Current:PIN1&PIN4(Vbus&Correponding ground PIN)  
1.8A MAX Other PINS 0.25A min.
    - Contact Resistance:PIN1&PIN4:30 mΩ MAX. Other PINS: 50 mΩ
    - Insulation Resistance:100 MΩ MIN.
    - Withstanding Voltage:AC 100V between adjacent contacts
    - Mating force: 3.57Kgf MAX(35N MAX)
    - Extraction force:1Kgf Min(9.8N Min)
    - Life test:1500Cycles MIN.
    - Temperature Range: -30℃~+80℃.

U328-111X-XXX0X7

- B: 不锈钢镀镍
- G: 半金G/Fu
- 1: 吸塑盒
- 2: PBT
- 7: 蓝色

TOLERANCE UNLESS OTHERWISE SPECIFIED		<b>FLW</b> 深圳市华联威电子科技有限公司				
.XXX ±0.10 .XX ±0.20 .X ±0.30		.X' ±3' .X' ±2'		HUA LIAN WEI TECHNOLOGY ELECTRONICS CO;LTD.		
APPROVED		PART NAME:	USB AF 3.0 沉板2.56斜口90度			
CHECKED		PART No:	U328-111B-G27017			C
DRAWN	weihong	PROJECTION:	UNIT:	SCALE	SHEET	REV.
DATE	2021.11.06		mm	1:1	10F1	A