

REV.	ECN.NO.	APPD.
A	EXXXXXXXXXX	yangguifeng

SPECIFICATION:

1.Electrical characteristics

1-1.Current rating:
Signal(Pins2,3,4):DC 1A
Power(Pins1,5) :DC 1.8A

1-2.Voltage rating: AC 30V.

1-3.Contact resistance:
30mΩ max(initial).
50mΩ max(After Durability)

1-4.Insulation resistance:
100MΩ min. at 500V DC.

1-5.Withstanding voltage:
100V AC for 1 minute.

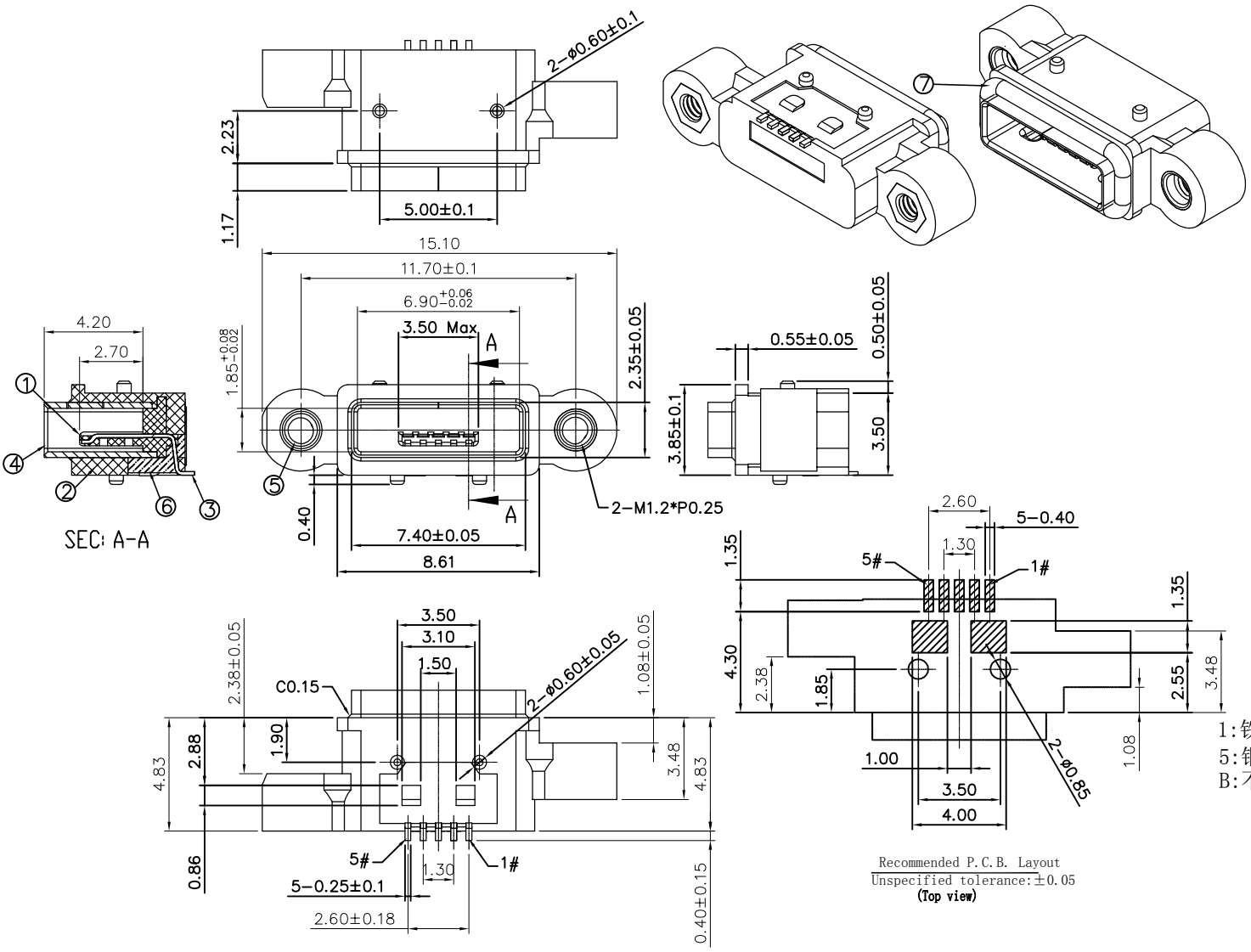
2.Mechanical characteristics

2-1.Life test: 5000 cycles min.

2-2.Mating force: 35N Max,
Unmating force:8N Min(initial).
6N Min(after life test).

3.Temperature range: -40°C~+80°C

4.Dustproof and waterproof grade: IP67



U442-C34X-XXXOX8

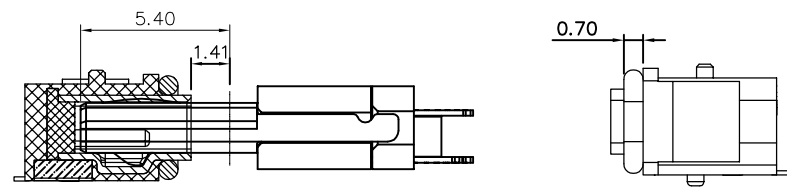
1: 铁壳镀镍
5: 铜壳镀镍
B: 不锈钢镀镍

1: 半金1u"
3: 半金3u"
5: 半金5u"
G: 半金G/Fu"
9: 镀全金1u"
2: 镀锡

1: 吸塑盒
2: 吸塑管
3: 载带
6: 载带+贴麦拉

1: PA66
2: PBT
5: PA9T

Contact Number	Signal Name	Remarks
1#	VBUS	Power
2#	D-	Date-
3#	D+	Date+
4#	ID	Reserve or Gound
5#	GND	Gound



TOLERANCE UNLESS OTHERWISE SPECIFIED		FLW 深圳市华联威电子科技有限公司			
.XXX ±0.10	.X' ±3'	HUA LIAN WEI TECHNOLOGY ELECTRONICS CO;LTD.			
.XX ±0.20	.XX' ±2'				
.X ±0.30					
APPROVED		PART NAME:	MICRO 5P 短体4.83带螺母有柱0.6		
CHECKED		PART No:	U442-C34B-G51038	C	
DRAWN	yangguifeng	PROJECTION:	UNIT:	SCALE:	SHEET:
DATE	2021.12.01		mm	1:1	1 OF 1
					REV.:
					A