

REV.	ECH. NO.	APPD.
A	/	/

规格说明 Specifications:

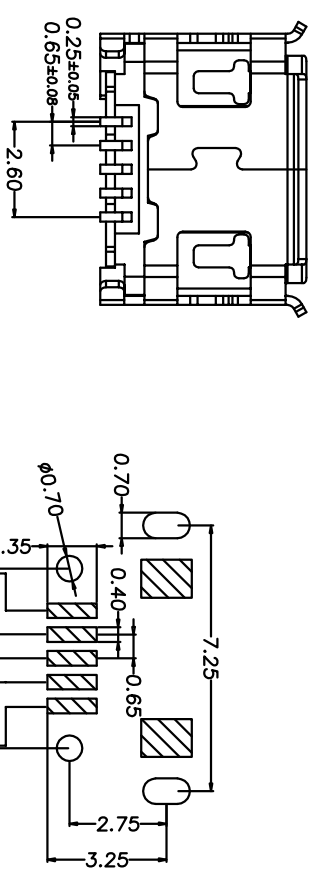
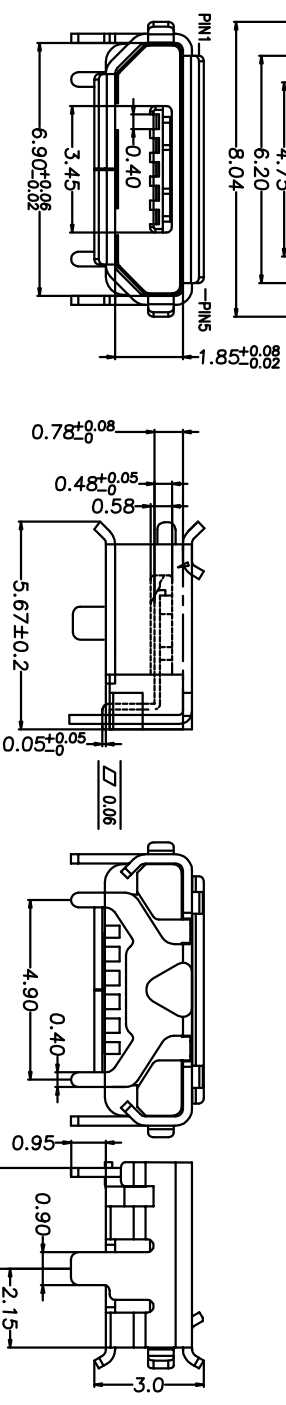
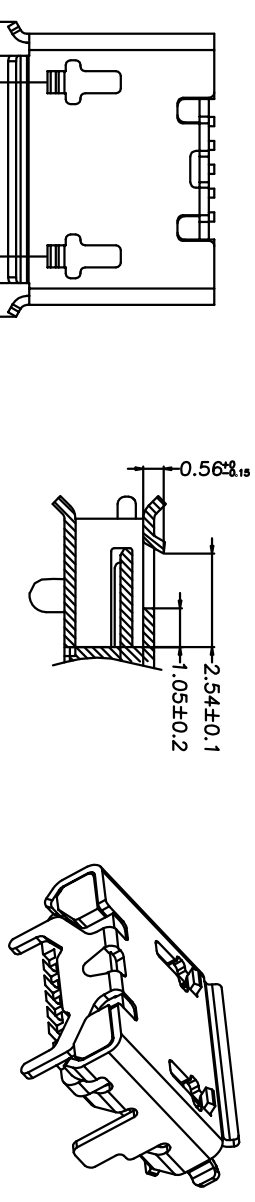
- 电气特性 Electrical:
- 额定电流: Current Rating  
1.0A/contact terminal
  - 额定电压: Voltage Rating  
30V DC
  - 接触电阻: Contact Resistance  
50 milliohms MAX
  - 耐电压: Dielectric Withstanding Voltage:  
300 V AC AT Sea Level
  - 绝缘电阻: Insulation Resistance:  
100MΩA ohms MIN
- 物理性能 Mechanical:
- 插拔力: Connector Mate and Umate Force  
Mate force: 3.0kgf (MAX)  
Umate force: 0.7kgf (MIN)
  - 机械寿命: 3000次

原材料 Material:

- 塑胶: Housing: HU 94Y-0 LCP Black
  - 端子: 磷铜 05191 EH
  - 外壳: Shell: H65 EH
- 电镀 Finish:
- 端子: Contact: Plated Gold in Mating Area: Tin On Solder Tails
  - 外壳: Shell: Nickel Plating (能过炉自动上锡)

U442-961X-XXXXX8

- 铜壳雾锡
- 铜壳亮锡
- 不锈钢镀镍
- 镀半金 1u"
- 镀全金 1u"
- 镀半金 G/Fu"
- 盘装
- 载带
- 黑色
- 白色
- 绿色
- PA46
- PBT
- LCP



TOLERANCE UNLESS OTHERWISE SPECIFIED		XXX ±0.10	XX ±0.20	X ±0.30	X' ±3	XX' ±2
PART NAME:		MICRO 牛角4.9无柱有卷边				
PART NO:		U442-9616-G61018				
PROJECTION:		mm				
DATE		2021.11.06				

**HLW** 深圳市华联威电子科技有限公司  
HUA LIAN WEI TECHNOLOGY ELECTRONICS CO.,LTD.