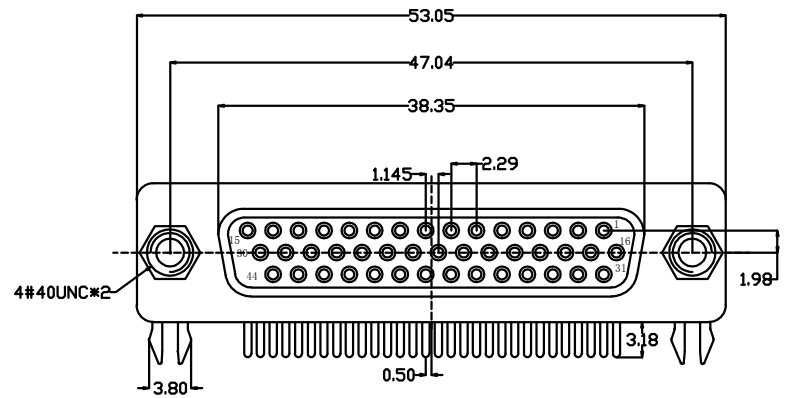


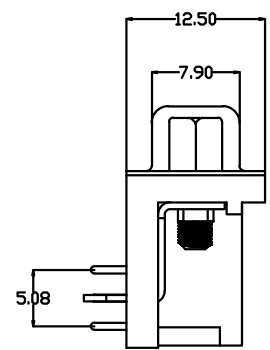
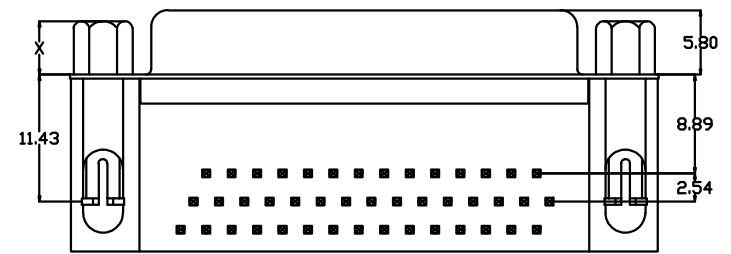
REV.	ECN.NO.	APPD.
A	/	/



**螺丝规格**

零件编号	X尺寸	L尺寸	内牙
A/C/E	4.8	7.0	4#40
B/D/F	5.8	7.0	4#40
G	4.8	10.2	4#40
H/I	4.8	8.2	4#40

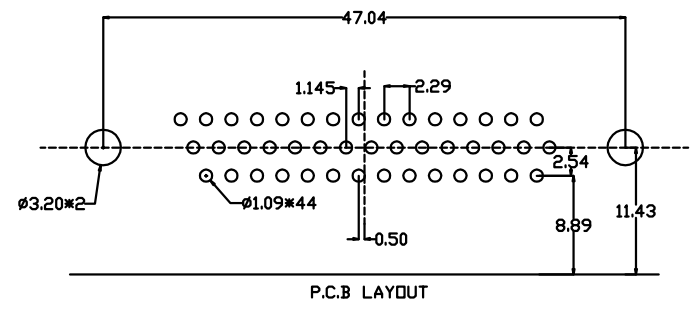
- 1.SPECIFICATION
- 2.1 Current Rate:5 Amps
  - 2.2 Insulator Resistance:100M Min.
  - 2.3 Dielectric Strength:500V AC PER MIN
  - 2.4 Operation Temperature:-55C~+105C
  - 2.5 Contact Resistance:30m Max



DS412-4810-G217

G:半金G/Fu" 1:黑色

2:PBT



TOLERANCE UNLESS OTHERWISE SPECIFIED		<b>HLW</b> 深圳市华联威电子科技有限公司 HUA LIAN WEI TECHNOLOGY ELECTRONICS CO;LTD.				
.XXX ±0.10	.X' ±3'					
.XX ±0.20	.XX' ±2'					
.X ±0.30		APPROVED	PART NAME:	D-SUB HDR 44PIN 传统叉锁母座		
CHECKED		PART No:	DS412-4810-G217		C	
DRAWN	weihong	PROJECTION:	UNIT:	SCALE	SHEET	REV.
DATE	2021.11.06		mm	1:1	10F1	A