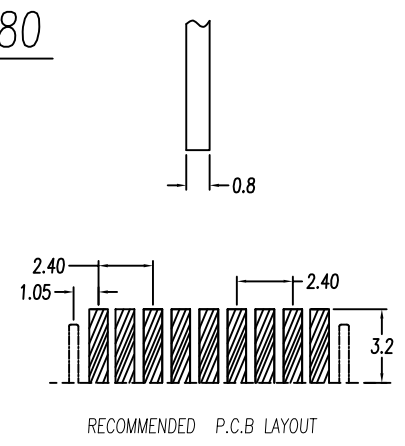
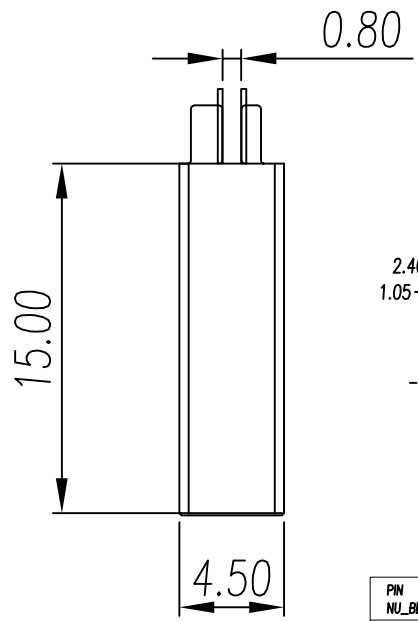
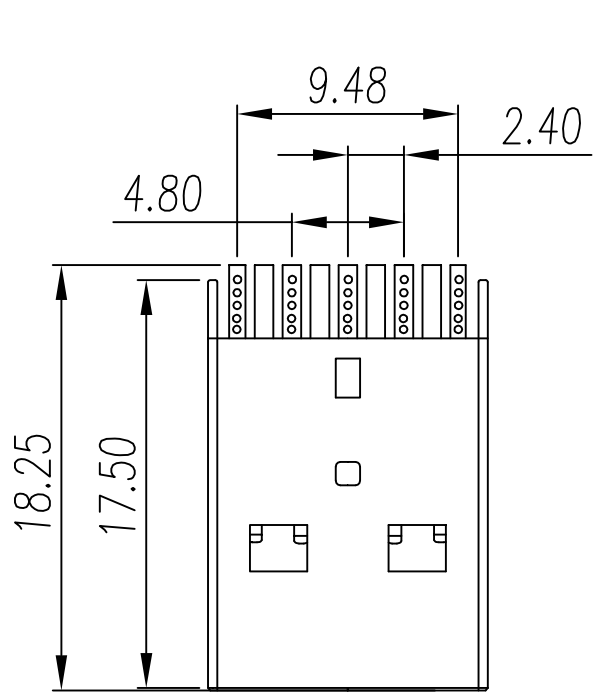
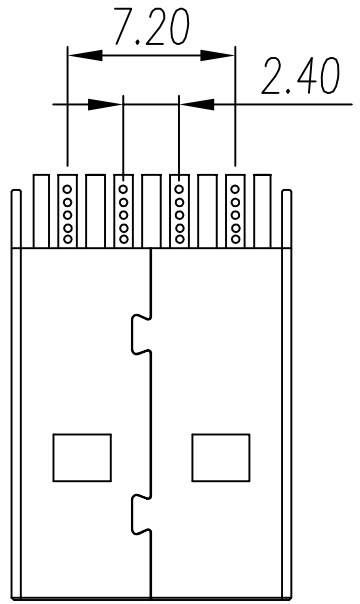
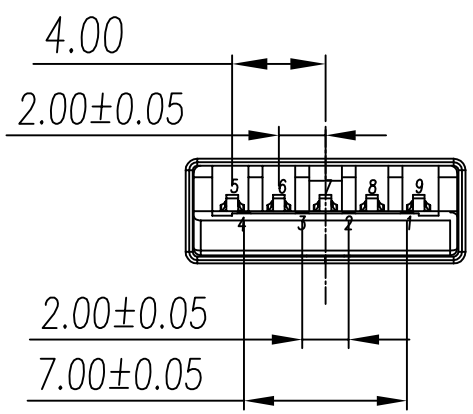


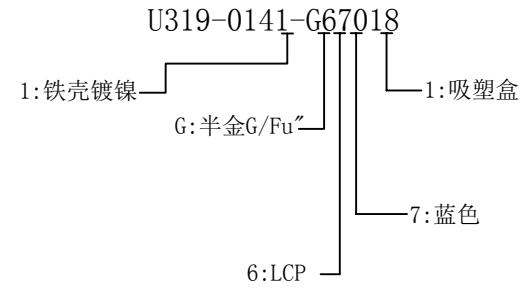
REV.	ECN. NO.	APPD.
A	EXXXXXXXXX	yangguifeng



PIN NU_BER	SIGNAL NAME
1	USB4E
2	D-(母)
3	D+(母)
4	地
5	SSRX-
6	SSRX+
7	GNDA
8	SSRX-
9	SSRX+
shell	SHIELD



规格型号: Specifications:  
 电气特性: Electrical:  
 1. 额定电流: Current Rating  
 1.8A/contact terminal  
 2. 额定电压: Voltage Rating  
 30V DC  
 3. 接触阻抗: Contact Resistance  
 30 milliohms MAX  
 4. 耐电压: Dielectric Withstanding Voltage:  
 500 V AC AT Sea Level  
 5. 阻抗: Insulation Resistance:  
 1000MEGA ohms MIN  
 物理性能: Mechanical:  
 1. 插拔力: Connector Mate and Umate Force  
 Mate force: 3.57kgf (MAX)  
 Umate force: 1.02kgf (MIN)  
 2. 端子保持力: Terminal Retention  
 1.0kgf (MIN)  
 原材料: Material:  
 1. 塑膠: Housing:  
 High Temperature Thermoplastics,  
 PBT/LCP White/Black  
 2. 端子: Contact: Copper Alloy C5191/C2680  
 3. 外壳: Shell: Copper Alloy C2680/SPCC  
 电镀: Finish:  
 1. 端子: Contact: Plated Gold in Mating Area;  
 Tin On Solder Tails  
 端子四周镀50μ" (MIN) 锡, 镀金区域镀100-200μ" 镀金1U"  
 2. 外壳: Shell:  
 铜壳四周镀80μ" (MIN) 锡  
 Nickel Plating



TOLERANCE UNLESS OTHERWISE SPECIFIED		FLW 深圳市华联威电子科技有限公司 HUA LIAN WEI TECHNOLOGY ELECTRONICS CO;LTD.				
.XXX ±0.10	.X° ±3°	APPROVED	PART NAME:	3.0 AM 夹板式 0.8		
.XX ±0.20	.XX° ±2°	CHECKED	PART No:	U319-0141-G67018	C	
.X ±0.30		DRAWN	yangguifeng	PROJECTION:	UNIT:	SCALE
		DATE	2021.12.01	mm	1:1	SHEET
					1 OF 1	REV.
						A