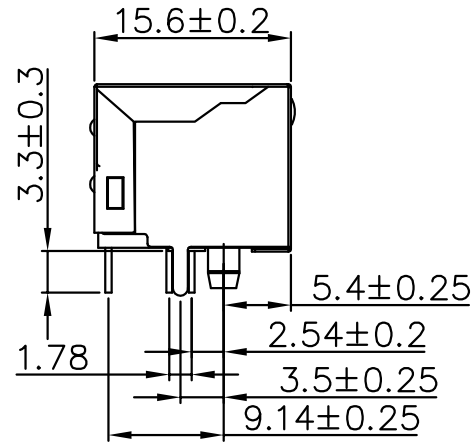
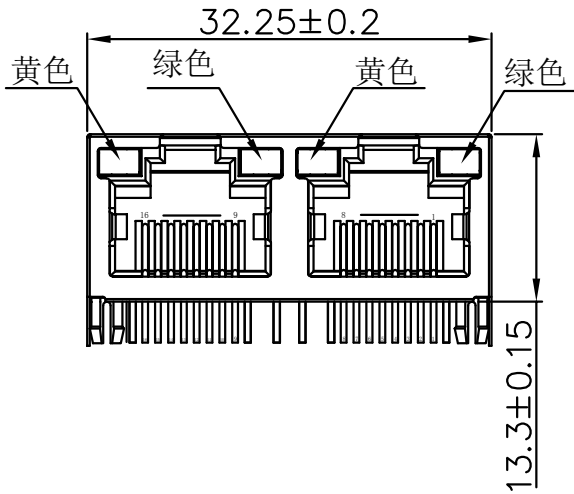


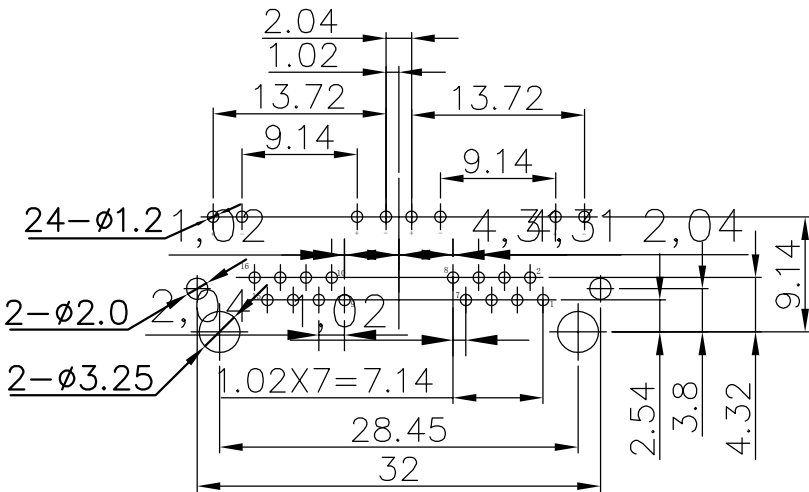
REV.	ECN.NO.	APPD.
A	/	/



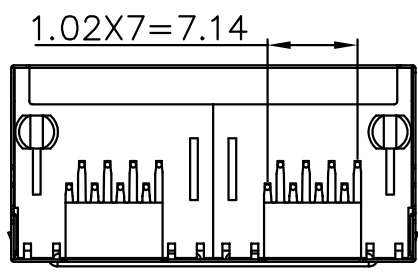
- NOTES:
- MATERIAL:
 - Housing: thermoplastic plastics
 - terminals: Copper Alloy
Gold plated in contact area:
OR Gold Plated overall
 - Shell: Steel&Copper Alloy
Nickel/Tin Plated overall
 - ELECTRICAL CHARACTERISTICS:
 - Rating Current :1.5 Ampere
 - Rating Voltage :125 V Max
 - Contact Resistance:50 Milli ohms
 - Insulation Resistance:500 Mega ohms Min.
 - MECHANICAL CHARACTERISTICS:
 - Connector Mating force: 2.27kgf MAX
 - Durability: 750Cycles.
 - ENVIRONMENT CHARACTERISTICS:
 - Operating temperature:-40℃ to +85℃
 - Storage temperature:-10℃ to +40℃

RJ45-105V5-G3118

5: 铜壳镀镍
G: 半金G/Fu"
3: PA46
1: 黑色



PC Board Layout



TOLERANCE UNLESS OTHERWISE SPECIFIED		FLW 深圳市华联威电子科技有限公司				
.XXX ±0.10 .XX ±0.20 .X ±0.30		HUA LIAN WEI TECHNOLOGY ELECTRONICS CO;LTD.				
.X' ±3' .XX' ±2'		PART NAME:		RJ45 8P8C 1X2 左黄右绿橙		
APPROVED		PART No:		RJ45-105V5-G3118		C
CHECKED		PROJECTION:		UNIT:	SCALE:	SHEET:
DRAWN	weihong	DATE		mm	1:1	10F1
DATE	2021.08.12					REV. A