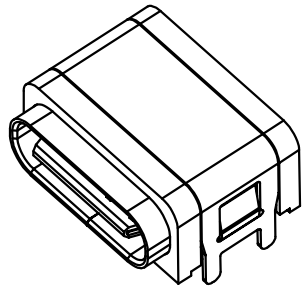
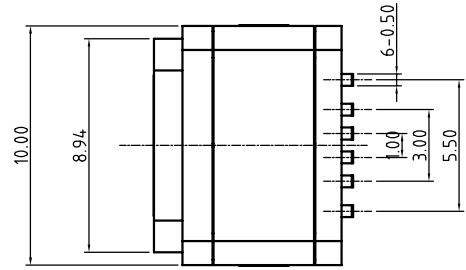
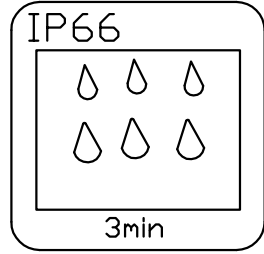
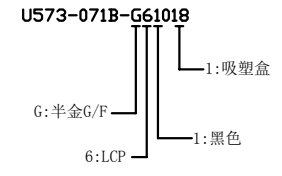
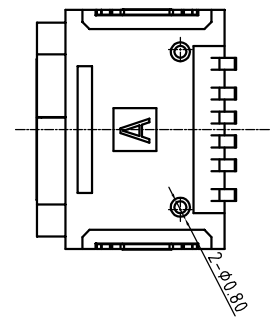
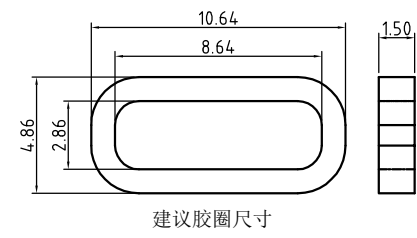
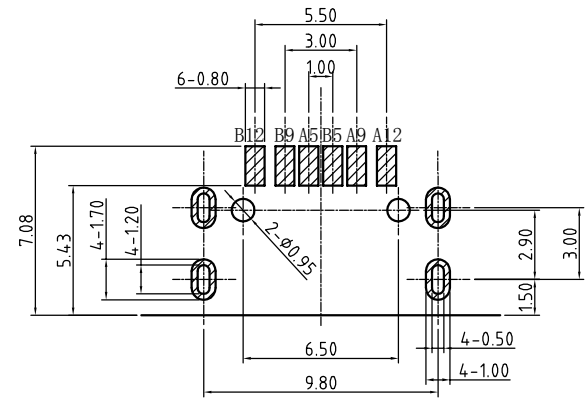
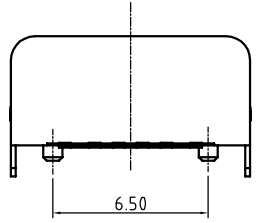
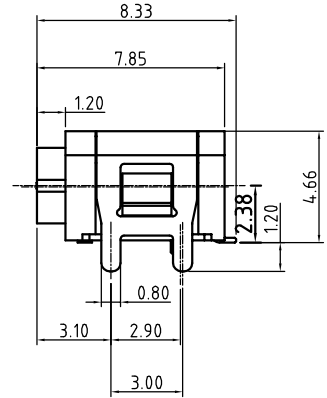
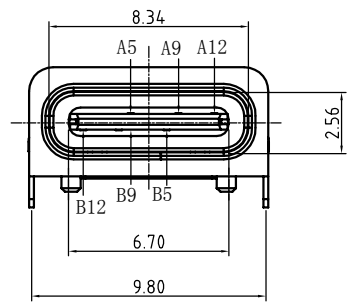


REV.	ECN.NO.	APPD.
A	/	/



SPECIFICATIONS:
 1. ELECTRICAL CHARACTERISTICS:
 1.1. RATING: 3A;
 1.2. CONTACT RESISTANCE: 30 mΩ MAX.(INITIAL);
 1.3. DIELECTRIC WITHSTANDING: 100V AC MIN.;
 1.4. INSULATION RESISTANCE: 100MΩ MIN.;
 2. DURABILITY: 5,000 CYCLES MIN.;
 3. INSERTION FORCE: 5-20N;
 4. EXTRACTION FORCE: 6-20N;
 5. WATER PROOFNESS: THIS PRODUCT IS BASED ON IPX6.
 6. PLUG INTERFACE DIMENSIONS COMFORM TO USB2.0 SPEC.
 7. PACKAGING: TAPE & REEL.



A5	CC1	B12	GND
A9	VBUS	B9	VBUS
A12	GND	B5	CC2
PIN	SIGNAL NAME	PIN	SIGNAL NAME

3	Shell	1	SUS304R-1/2H Ni Plating T=0.25mm
2	Contact	6	Phosphor bronze C5191R-EH Au/Ni Plating T=0.20mm
1	Housing	1	PA10T (G.F30%)
ITEM	PART NAME	Q' TY	FINISH

NOTE

TOLERANCE UNLESS OTHERWISE SPECIFIED	
.XXX ±0.10	X* ±3°
.XX ±0.20	.XX* ±2°
.X ±0.30	
APPROVED	
CHECKED	
DRAWN	weihong
DATE	2021. 7. 23

FLW 深圳市华联威电子科技有限公司
 HUA LIAN WEI TECHNOLOGY ELECTRONICS CO.;LTD.

PART NAME:		TYPE-C 6PIN板上四脚插板6级防水母座			
PART No:		U573-071B-G61018			C
PROJECTION:	UNIT:	SCALE:	SHEET:	REV.	
	mm	1:1	10F1	A	