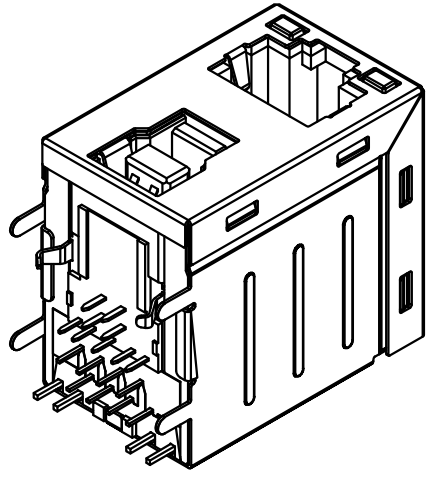
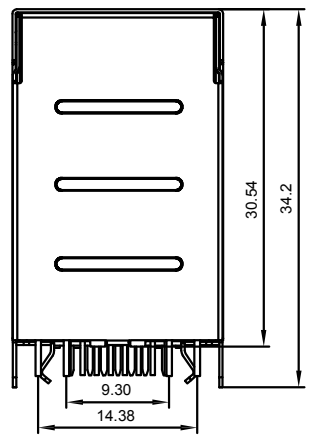
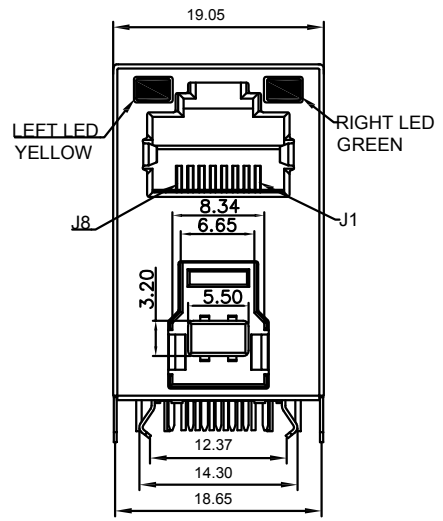
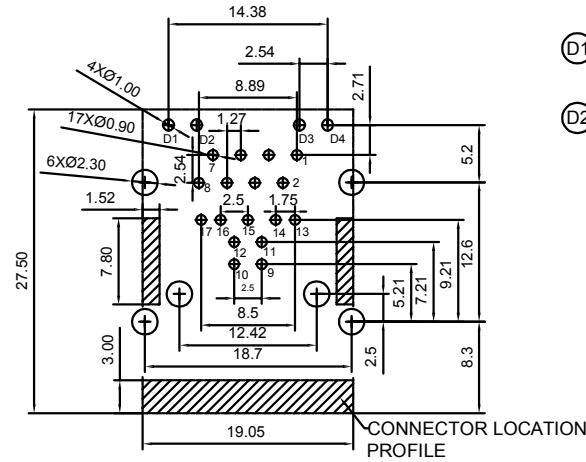
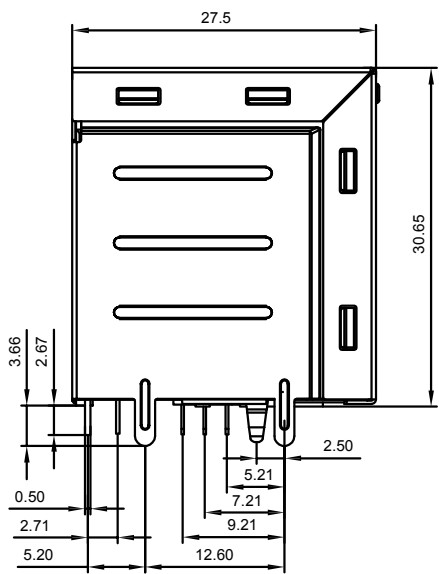


REV.	ECN.NO.	APPD.
A	/	/

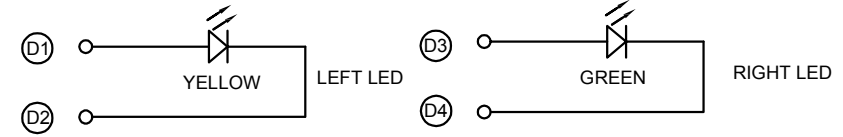


NOTES:

- MATERIAL:
 - Housing: thermoplastic plastics
 - terminals: Copper Alloy
Gold plated in contact area
Tin plated in termination
Nickel Plated overall
 - Shell: Steel & Copper Alloy
Nickel/Tin Plated overall
- ELECTRICAL CHARACTERISTICS:
 - Rating Current : 1 Ampere
 - Rating Voltage : 125 V Max
 - Contact Resistance: 40 Milli ohms
 - Insulation Resistance: 500 Mega ohms Min.
- MECHANICAL CHARACTERISTICS:
 - Connector Mating force: 35N MAX (3.57Kgf)
- ENVIRONMENT CHARACTERISTICS:
 - Operating temperature: -40°C to +85°C
 - Storage temperature: -40°C to +85°C



RECOMMENDED P.C.B. PATTERN LAYOUT
COMPONENT SIDE SHOWN



R570-32560-161018

- 1: 半金 1u"
- 6: LCP
- 1: 吸塑盒
- 1: 黑色

TOLERANCE UNLESS OTHERWISE SPECIFIED		FLW 深圳市华联威电子科技有限公司				
.XXX ±0.10		HUA LIAN WEI TECHNOLOGY ELECTRONICS CO.,LTD.				
.XX ±0.20		.X' ±3'				
.X ±0.30		.XX' ±2'				
APPROVED		PART NAME:	RJ45+B母3.0带灯			
CHECKED		PART No:	R570-32560-161018	C		
DRAWN	weihong	PROJECTION:	UNIT:	SCALE	SHEET	
DATE	2021.9.23		mm	1:1	10F1	
					REV. A	