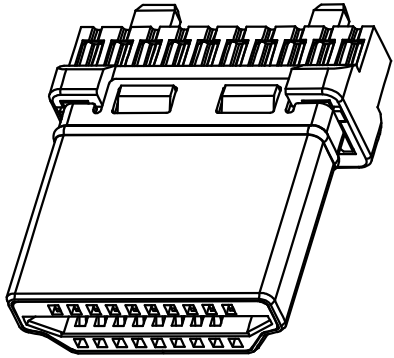
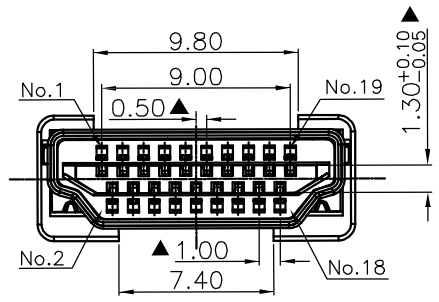
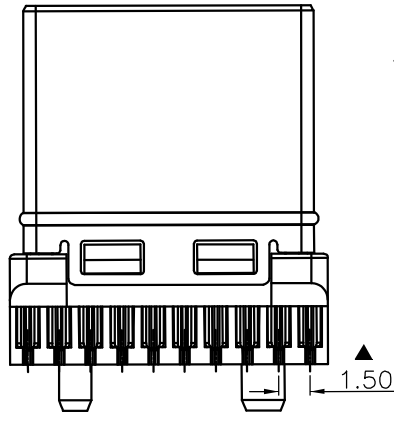
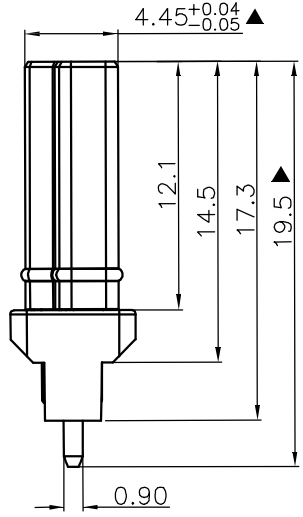
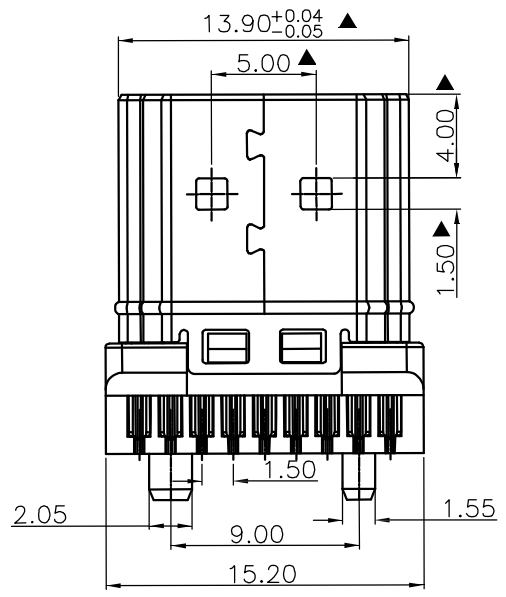


| REV. | ECN.NO.    | APPD.      |
|------|------------|------------|
| A    | XXXXXXXXXX | chenyiting |

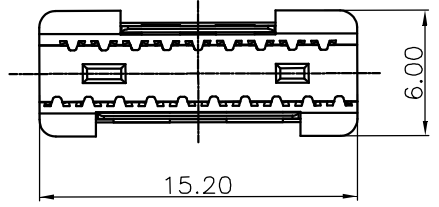


- NOTES:
- MATERIAL:
    - Housing:thermoplastic plastics
    - terminals:Copper Alloy  
Gold plated in contact area:  
Tin plated in termination  
Nickel Plated overall
    - Shell:Steel&Copper Alloy  
Nickel/Au Plated overall
  - ELECTRICAL CHARACTERISTICS:
    - Rating Current :0.5 Ampere
    - Rating Voltage :40 V Max
    - Contact Resistance:30 Milli ohms
    - Insulation Resistance:100 Mega ohms Min.
  - MECHANICAL CHARACTERISTICS:
    - Connector Mating force: 4.5kg MAX
    - Connector Unmating force:1.0Kg min
    - Durability:10000Cycles.
  - ENVIRONMENT CHARACTERISTICS:
    - Operating temperature:-20℃ to +85℃
    - Storage temperature:-20℃ to +65℃



HD27-1047-G61068

- 7: 铜壳镀金
- G: 半金G/Fu
- 6: 载带+贴麦拉
- 1: 黑色
- 6: LCP



| TOLERANCE UNLESS OTHERWISE SPECIFIED |          |
|--------------------------------------|----------|
| .XXX ±0.10                           | .X' ±3'  |
| .XX ±0.20                            | .XX' ±2' |
| .X ±0.30                             |          |

**FLW** 深圳市华联威电子科技有限公司  
HUA LIAN WEI TECHNOLOGY ELECTRONICS CO;LTD.

|          |            |             |                       |       |       |      |
|----------|------------|-------------|-----------------------|-------|-------|------|
| APPROVED |            | PART NAME:  | HDMI 19P/M 公头 焊线有柱铜镀金 |       |       |      |
| CHECKED  |            | PART No:    | HD27-1047-G61068      | C     |       |      |
| DRAWN    | chenyiting | PROJECTION: | UNIT:                 | SCALE | SHEET | REV. |
| DATE     | 2023.04.15 |             | mm                    | 1:1   | 10F2  | A    |