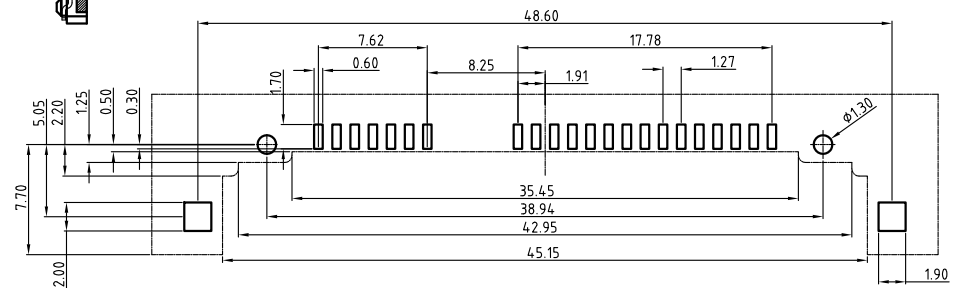
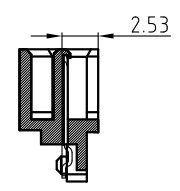
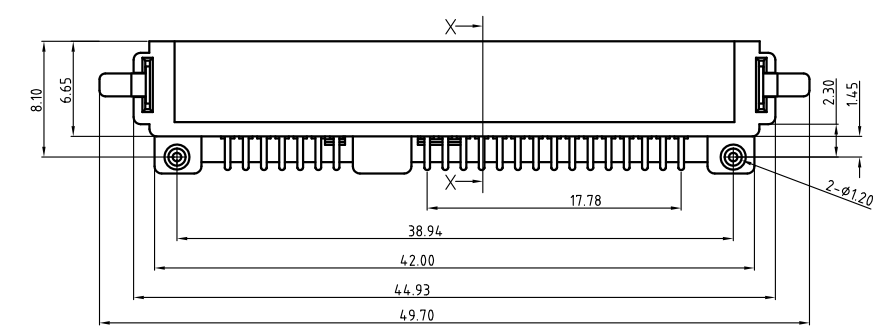
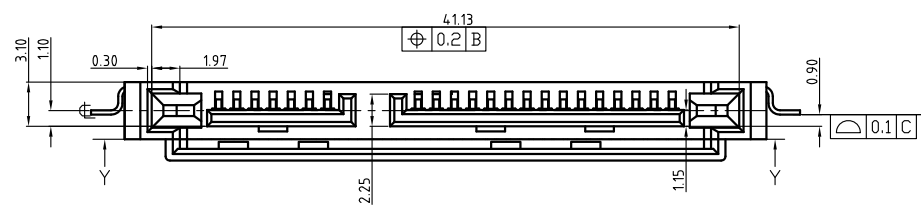
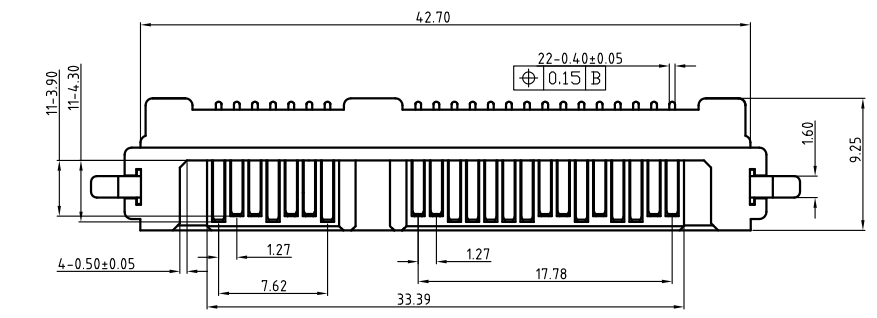


REV.	ECN.NO.	APPD.
A	/	/

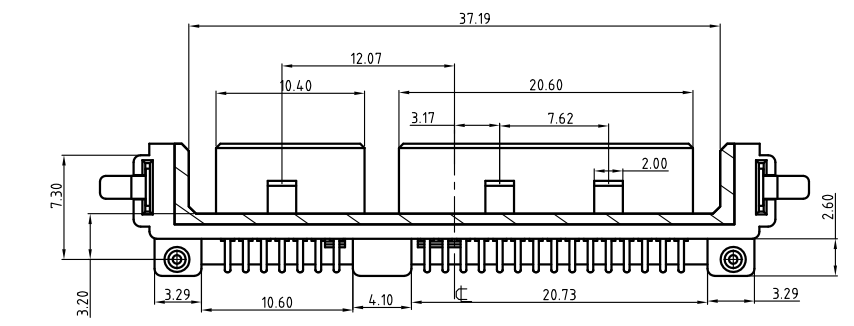
SPECIFICATION:  
 1.MATERIAL:  
 HOUSING:LCP 30% G/F UL 94V-0  
 COLOR:BLACK  
 CONTACT:BRASS C2680R-H,T=0.25mm  
 PEG: BRASS C2680R-H,T=0.30mm  
 2.FINISH:  
 CONTACT:15u" 3U" FLASH GOLD/TIN PLATING ON  
 CONTACT AREA 100u" MIN.TIN-LEAD PLATING ON  
 SOLDER TAILS 50u" MIN.NICKEL UNDERPLATING  
 OVER ALL  
 3.ELECTRICAL:  
 CURRENT RATING:1.5 AMPERE PER CONTACT  
 CONTACT RESISTANCE:30 MILLIOHMS MAX  
 INSULATION RESISTANCE:1000 MEGOHMS MIN  
 DIELECTRIC WITH STANDING VOLTAGE:500 VDC  
 OPERATING TEMPERATURE: -40°C ~ +85°C

ST24-0140-XXX8

1: 黑色  
 6: LCP  
 G: 镀半金G/Fu"



PCB LAYOUT  
 TOLERANCES: ±0.05MM



TOLERANCE UNLESS OTHERWISE SPECIFIED	
.XXX ±0.10	.X* ±3°
.XX ±0.20	.XX* ±2°
.X ±0.30	

**FLW** 深圳市华联威电子科技有限公司  
 HUA LIAN WEI TECHNOLOGY ELECTRONICS CO;LTD.

APPROVED		PART NAME:	SATA 7+15P 公座三面包 SMT H=2.20mm			
CHECKED		PART No:	ST24-0140-G618		C	
DRAWN	weihong	PROJECTION:	UNIT:	SCALE	SHEET	REV.
DATE	2021.9.23		mm	1:1	10F1	A