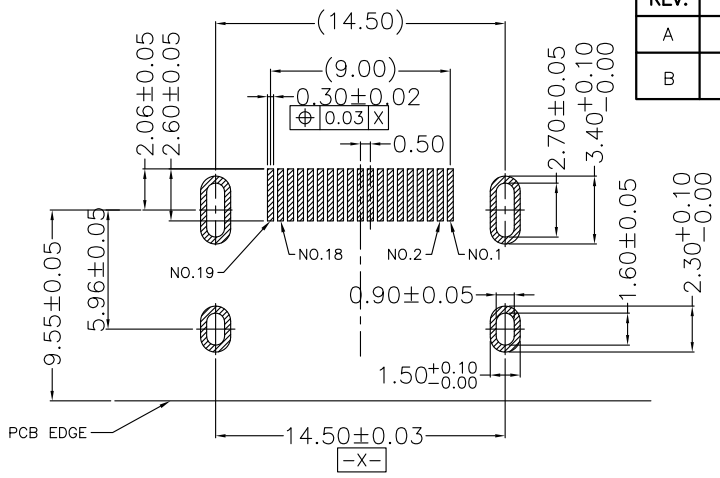
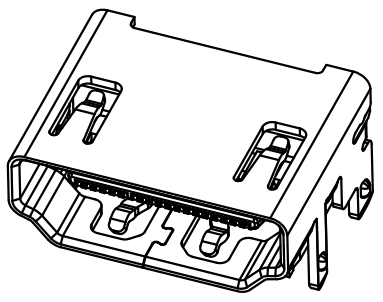
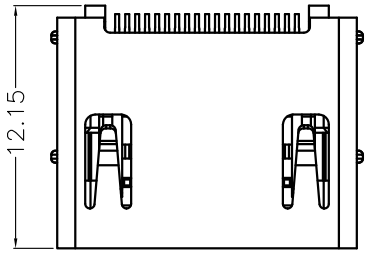
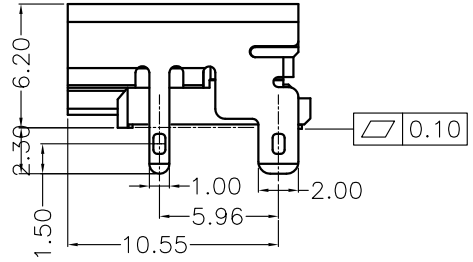
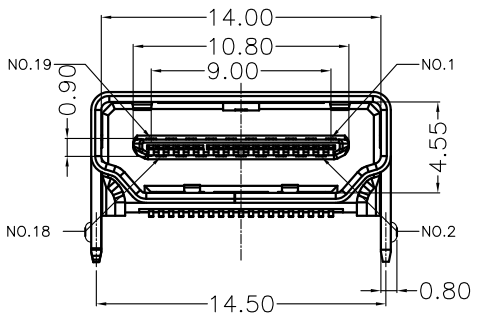


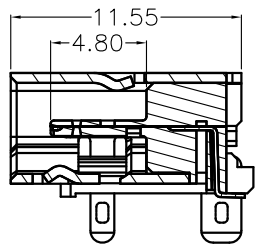
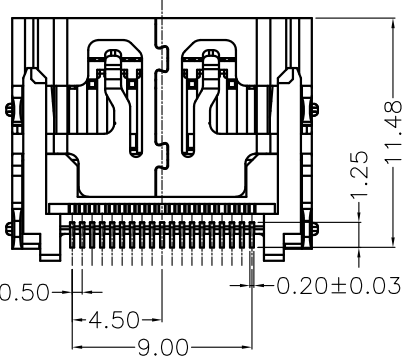
REV.	ECN.NO.	APPD.
A	/	pcy
B	E2016042201	ZDC



RECOMMENDED PCB LAYOUT (T=1.60)
TOLERANCES UNLESS OTHERWISE SPEC.±0.05MM



- NOTES:
- MATERIAL:
 - Housing:thermoplastic plastics
 - terminals:Copper Alloy
Gold plated in contact area:
Tin plated in termination
Nickel Plated overall
 - Shell:Steel&Copper Alloy
Nickel/Au Plated overall
 - ELECTRICAL CHARACTERISTICS:
 - Rating Current :0.5 Ampere
 - Rating Voltage :40 V Max
 - Contact Resistance:30 Milli ohms
 - Insulation Resistance:100 Mega ohms Min.
 - MECHANICAL CHARACTERISTICS:
 - Connector Mating force: 4.5kg MAX
 - Connector Unmating force:1.0Kg min
 - Durability:10000Cycles.
 - ENVIRONMENT CHARACTERISTICS:
 - Operating temperature:-20°C to +85°C
 - Storage temperature:-20°C to +65°C



HD22-0615-161011

5:Copper alloy
Ni plating

1:tray

1:Black

6:LCP

1:Au 1u"

TOLERANCE UNLESS OTHERWISE SPECIFIED		FLW 深圳市华联威电子科技有限公司 HUA LIAN WEI TECHNOLOGY ELECTRONICS CO;LTD.				
.XXX ±0.10	.X' ±3'	APPROVED	PART NAME:	HDMI 19P/F SMT 无后盖有凸点		
.XX ±0.20	.XX' ±2'	CHECKED	PART No:	HD22-0615-161011	C	
.X ±0.30		DRAWED pengchaoyong	PROJECTION:	UNIT:	SCALE	SHEET
		DATE 2014.12.4		mm	1:1	1 OF 1
						REV. B