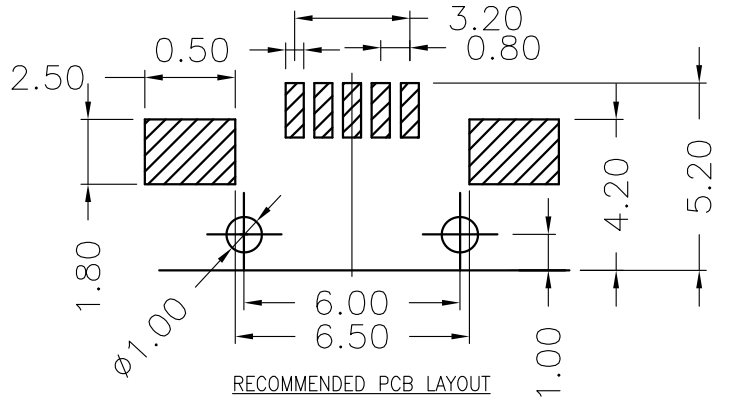
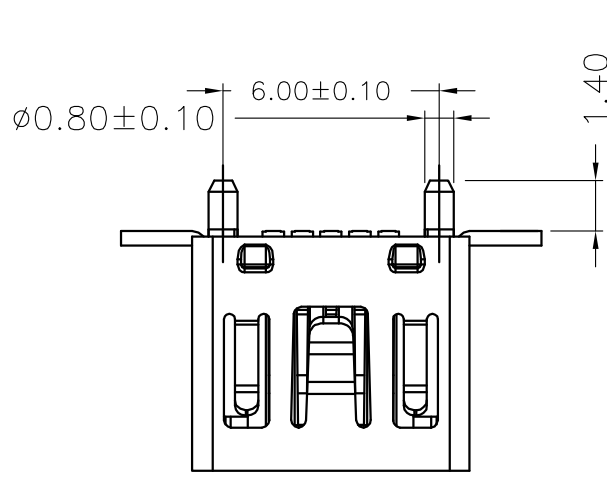
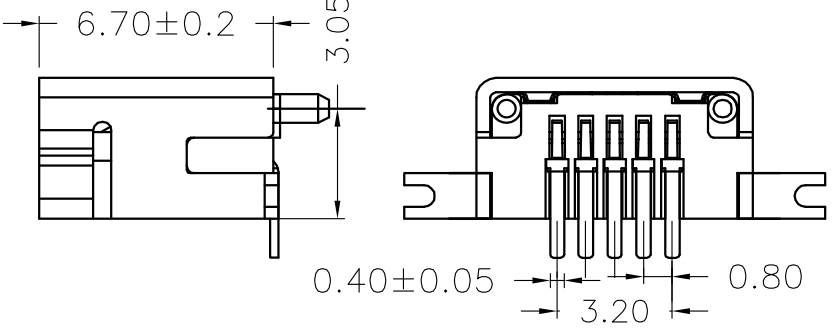
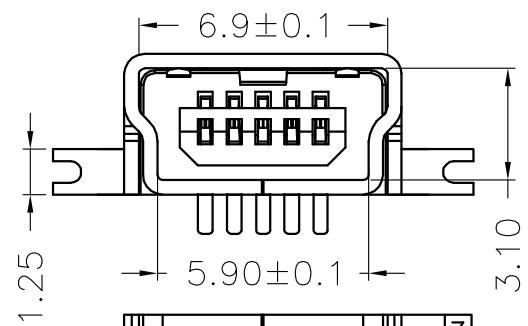


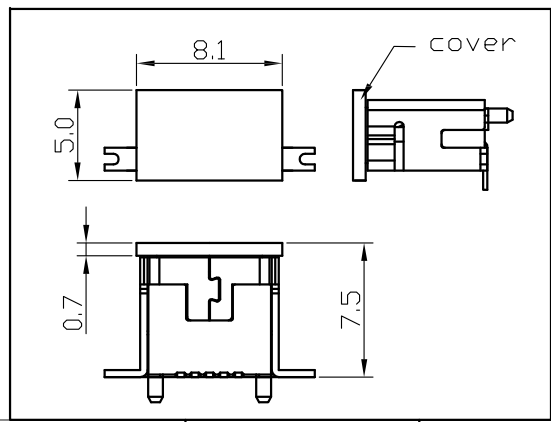
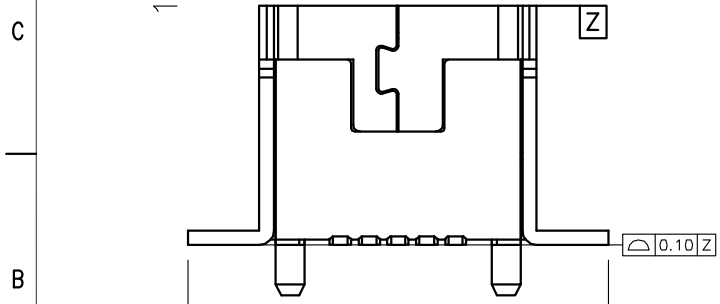
REV.	ECN.NO.	APPD.
A0	/	/



- NOTES:
- MATERIAL:
 - Housing: thermoplastic plastics,
 - terminals: Copper Alloy
Gold plated in contact area:
Tin 40u"min plated in termination
Nickel Plated overall
 - Shell: Steel & Copper Alloy
Nickel/Tin Plated overall
 - ELECTRICAL CHARACTERISTICS:
 - Rating Current :1.5 Ampere
 - Rating Voltage :30 V Max
 - Contact Resistance:50 Milli ohms
 - Insulation Resistance:100 Mega ohms Min.
 - MECHANICAL CHARACTERISTICS:
 - Connector Mating force: 35N MAX
 - Connector Unmating force:7N min
 - ENVIRONMENT CHARACTERISTICS:
 - Operating temperature:-0°C to +50°C
 - Storage temperature:-20°C to +60°C



- U144-1755-G61078
- 5: 铜壳镀镍
 - 7: 载带
 - 1: 黑色
 - G: 半金G/Fu
 - 6: LCP



TOLERANCE UNLESS OTHERWISE SPECIFIED	
.xxx ±0.10	.x' ±3'
.xx ±0.20	.xx' ±2'
.x ±0.30	

HLW 深圳市华联威电子科技有限公司
HUA LIAN WEI TECHNOLOGY ELECTRONICS CO.;LTD.

APPROVED		PART NAME:	MINI 5P/F 180度 立式贴片			
CHECKED		PART No:	U144-1755-G61078		C	
DRAWN	chenyiting	PROJECTION:	UNIT:	SCALE	SHEET	REV.
DATE	2023.04.21		mm	1:1	10F1	A0