

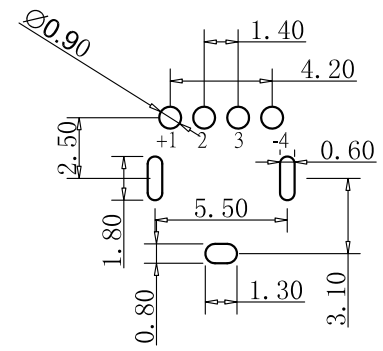
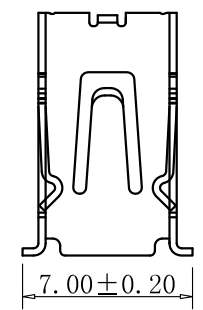
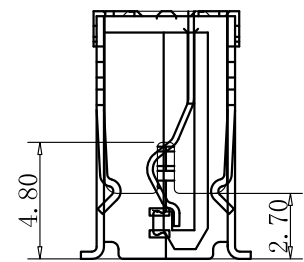
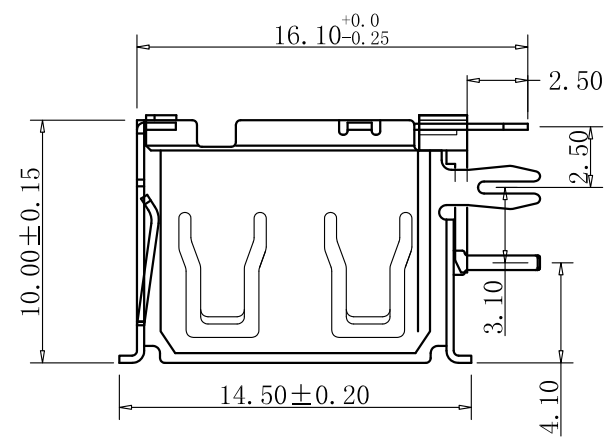
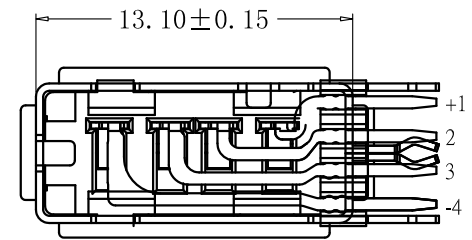
REV.	ECN.NO	APPD
A0	/	/

NOTES:

- 1.MATERIAL:
  - 1.1 Housing:thermoplastic plastics
  - 1.2 terminals:Copper Alloy  
Gold plated in contact area  
Tin plated in termination  
Nickel Plated overall
  - 1.3 Shell:Steel&Copper Alloy  
Nickel Plated overall
- 2.ELECTRICAL CHARACTERISTICS:
  - 2.1 Rating Current :1.5 Ampere
  - 2.2 Rating Voltage :30 V Max
  - 2.3 Contact Resistance:30 Milli ohms
  - 2.4 Insulation Resistance:1000 Mega ohms Min.
- 3.MECHANICAL CHARACTERISTICS:
  - 3.1 Connector Mating force: 35N MAX(3.57Kgf)
  - 3.2 Connector Unmating force:10N min(1.02Kgf)
  - 3.3 Durability:1500Cycles.
- 4.ENVIRONMENT CHARACTERISTICS:
  - 4.1 Operating temperature:-0℃ to +50℃
  - 4.2 Storage temperature:-20℃ to +60℃

U226-5331-G22018

- 1:Iron alloy  
Ni plating
- G: Au G/Fu"
- 1:tray
- 2:White
- 2:PBT



TOLERANCE UNLESS OTHERWISE SPECIFIED		H-LW 深圳市华联威电子科技有限公司 HUA LIAN WEI TECHNOLOGY ELECTRONICS CO;LTD.			
.XXX ±0.10	.XX ±0.20	.X ±0.30	.x ±3'	.Xx ±2'	
APPROVED		PART NAME:	USB AF90度侧插短体10.0 H款		
CHECKED		PART No:	U226-5331-G22018	C	
DRAWN	weihong	PROJECTION:	UNIT:	SCALE	SHEET
DATE	2021.07.06		mm	1:1	10F1
					REV.
					A0