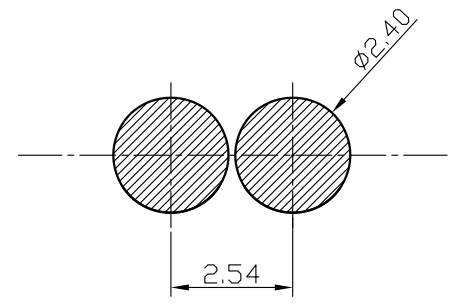
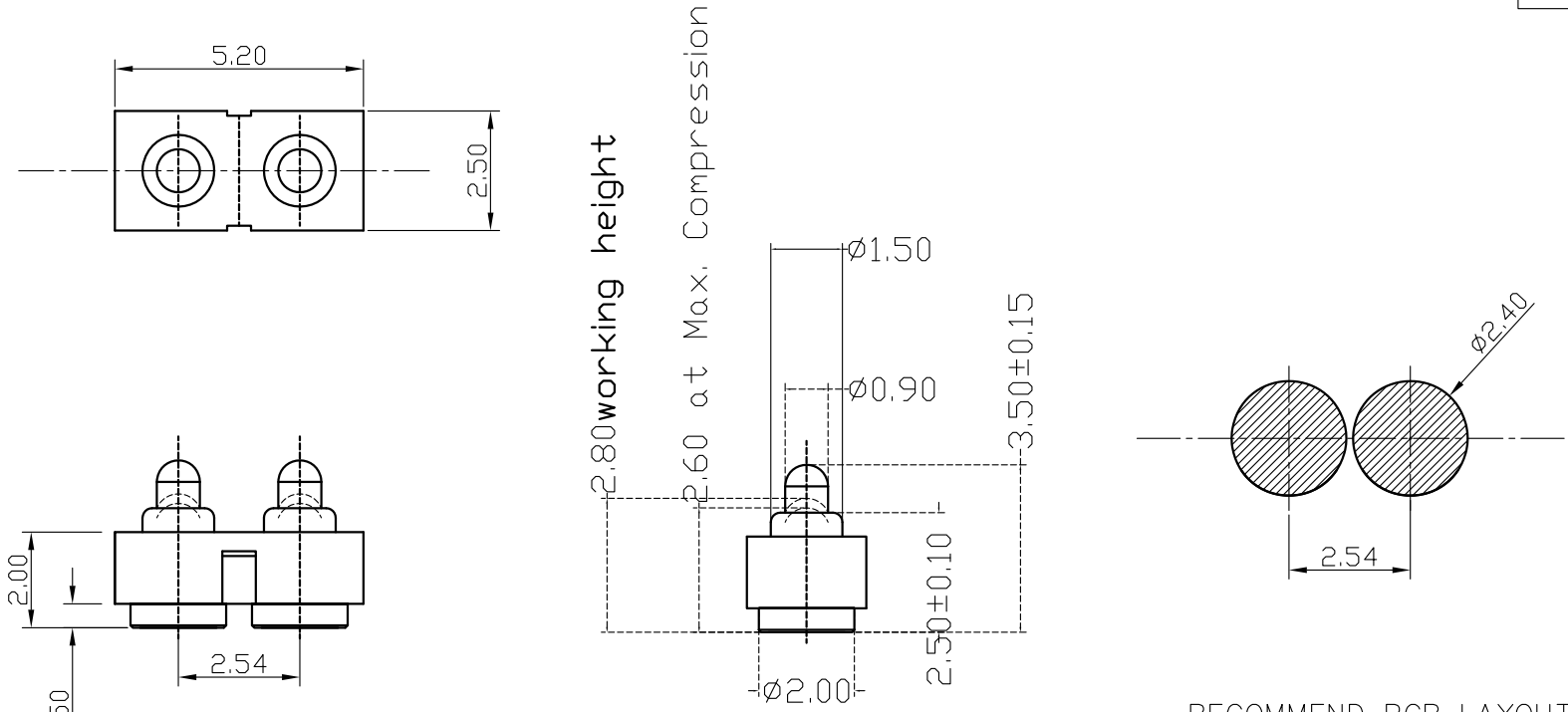


REV.	ECN.NO.	APPD.
A	/	ZFY



- NOTE**
- Material**  
Plunger: Brass C3604  
Barrel: Brass C3604  
Spring: SUS304  
Housing: PA46
  - Plating**  
Plunger: 5 micro-inch minimum Au over 50 micro-inch nickel  
Barrel: 5 micro-inch minimum Au over 50 micro-inch nickel
  - Electrical**  
Rated current & voltage: DC 12V; 1.0A Max.  
Contact resistance: 50 mohm maximum at normal working height(quiessence)
  - Mechanical**  
Spring force: 70g±20g at normal working height (travel 0.70)  
Durability: 10,000 cycles(minimum)
  - To ensure the best usage, please operate it based on the working height. Based on the engineering drawings, shall not exceed the maximum allowed compression
  - To avoid arcing issue, The adaptor start to power supply after connector mated fully.
  - RoHS compliant product.
  - SALT SPRAY:24H

304206-0090-198  
1:半金1u" 9:PA9T黑色

TOLERANCE UNLESS OTHERWISE SPECIFIED		<b>HLW</b> 深圳市华联威电子科技有限公司					
.XX ±0.15	.X' ±5°	HUA LIAN WEI TECHNOLOGY ELECTRONICS CO;LTD.					
.XX ±0.20	.XX' ±2°	APPROVED	PART NAME:	弹簧 间距2.54SMT 贴片顶针			
.X ±0.30		CHECKED	PART No:	304206-0090-198	C		
DRAWED	ZhangFenYan	PROJECTION:	UNIT:	SCALE	SHEET	REV.	
DATE	2018.10.10		mm	1:1	10F1	A	