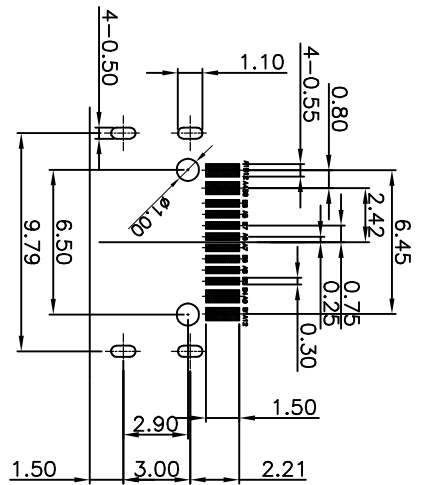
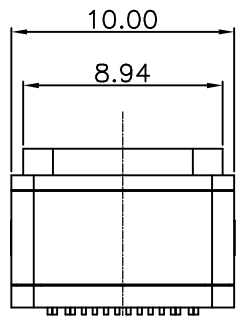
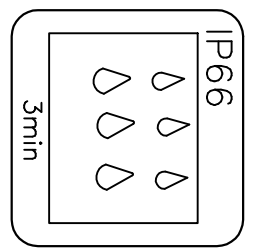
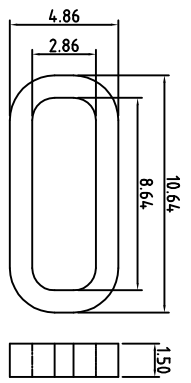
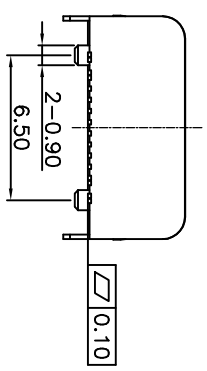
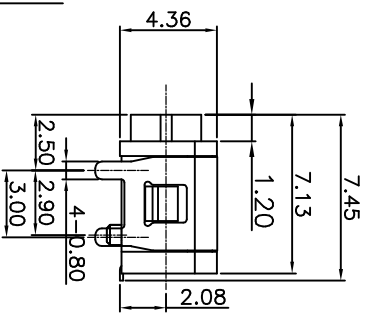
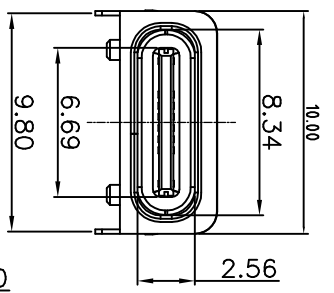


REV.	ECN.NO.	APPD.
A	✓	ZFY

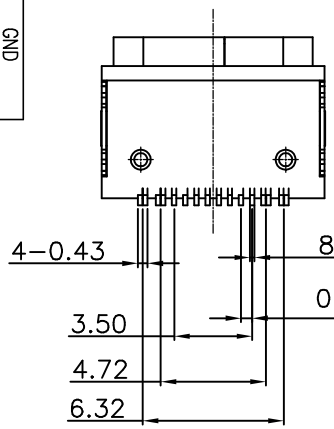


- NOTES:  
SPECIFICATION:
- CURRENT RATING: 3.0A MAX
  - DIELECTRIC WITHSTAND VOLTAGE: 100VAC
  - TEMPERATURE RANGE: -30 °C ~ 85 °C
  - CONTACT RESISTANCE: 40 MILLIONHM MAX
  - INSULATION RESISTANCE: 100 MEGOHMS MIN.
  - INSERTION FORCE : 5N~20N
  - UNMATING FORCE: 8N~20N
  - DURABILITY:10,000 CYCLES

RECOMMENDED P.C.B. LAYOUT  
TOLERANCE UNSPECIFIED ±0.05mm



建议胶圈尺寸



- U573-531X-XXXXX8
- 铁壳镀镍
  - 铜壳镀镍
  - 不锈钢镀镍
- B: 不锈钢镀镍
- 半金1u"
  - 半金3u"
  - 镀半金G/Fu"
- G: 镀半金G/Fu"
- 盘装
  - 白色
  - 黑色
  - 绿色
  - PA46
  - PBT
  - LCP

NO.	DESCRIPTION	MATERIAL	REMARKS	QTY
6	防水圈	硅胶	BLACK	1PCS
5	SHELL	STAINLESS STEEL	NI Plated	1PCS
4	SHIELDING PLATE	STAINLESS STEEL	NI Plated	1PCS
3	CONTACT	COPPER ALLOY	Au/NI Plated	1SET
2	SHELL HOUSING	HIGH TEMPERATURE PLASTIC	BLACK	1PCS
1	HOUSING	HIGH TEMPERATURE PLASTIC	BLACK	1PCS

TOLERANCE UNLESS OTHERWISE SPECIFIED	XXX ±0.15	XX ±0.20	X ±0.30	X' ±5'	XX' ±2'
<b>HLW</b> 深圳市华联威电子科技有限公司					
HUA LIAN WEI TECHNOLOGY ELECTRONICS CO.,LTD.					

A1	GND	B12	GND
A4	VBUS	B9	VBUS
A5	CC1	B8	SBUS2
A6	DP1	B7	DN2
A7	DN1	B6	DP2
A8	SBU1	B5	CC2
A9	VBUS	B4	VBUS
A12	GND	B1	GND
PIN	SIGNAL NAME	PIN	SIGNAL NAME

APPROVED	CHECKED	DRAWN	DATE	PART No:	UNIT:	SCALE	SHEET	REV.
		ZhangFenYan	2018.10.10	U573-531X-XXXXX8	mm	1:1	10F1	A
				PROJECTION:				
				USB TYPE C 16P SMT四脚防水母座				

9 8 7 6 5 4 3 2 1

A B C D E F