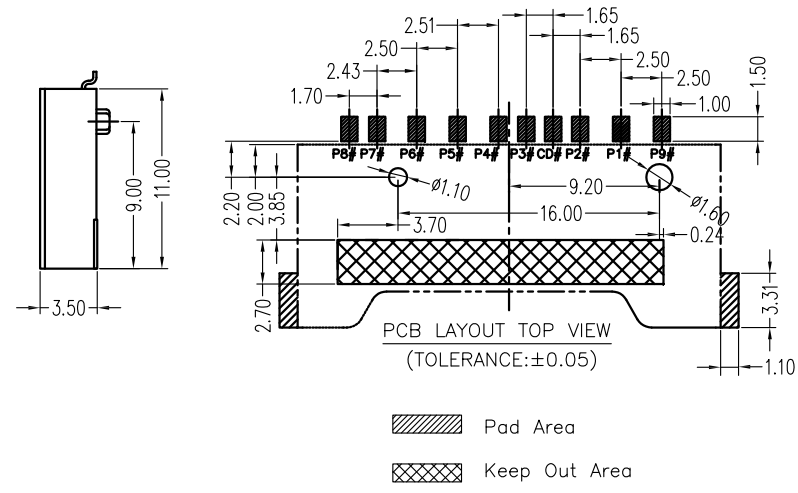
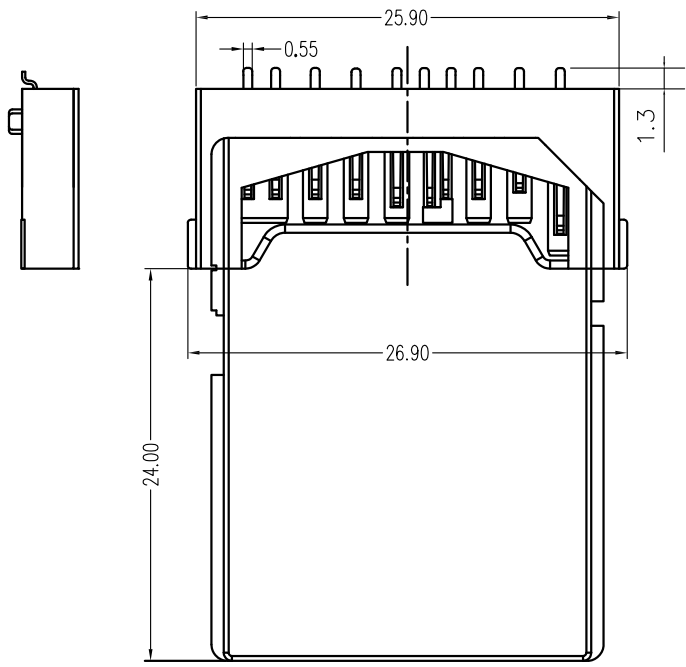
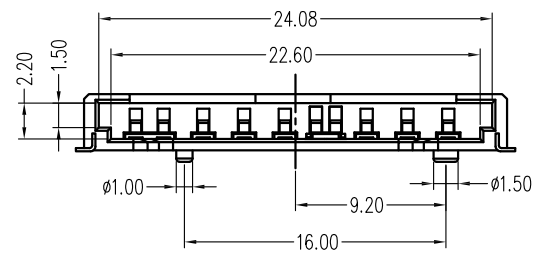
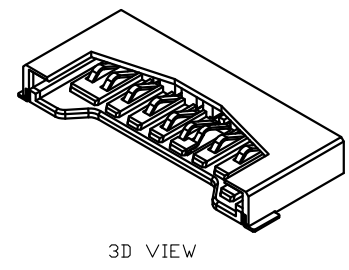


REV.	ECN.NO.	APPD.
A	EXXXXXXXXXX	chenyiting



*Electrical Characteristics:
 Contact Current Rating:0.5 Amperes.
 Dielectric Withstanding Voltage:AC500V r.m.s.
 Insulation Resistance:1000 MΩ Minimum.
 Contact Resistance:100 mΩ Maximum.
 *Environmental:
 Operating Temperature:-25°C~+90°C.
 *Environmental:
 Mating Cycles:5000~10,000 Insertions.
 *Mechanical Characteristics:
 Card Push Insertion/Out Force:1.4kgf. MAX
 Contact Separation Force:0.20kgf Minimum.
 *Material:
 Insulator:HI-Temp Plastic UL 94V-0 Rated.
 Contact:Copper Alloy(t=0.15mm).
 Shell:Stainless Steel(t=0.20mm).
 Spring:SWP.

SD5209-1715-G61038
 G: 半金G/Fu
 3: 载带
 6: LCP
 1: 黑色



SD CARD PIN DESIGN			
Pin#	Name	Type	Card Detect/Date Line[Bit]
1	CD/DAT3	I/O/PP	Command/Response
2	CMD	PP	Supply voltage
3	Vss1	S	Supply voltage ground
4	VDD	S	Supply voltage
5	CLK	I	Clock
6	Vss2	S	Supply voltage ground
7	DAT0	I/O/PP	Date Line [Bit0]
8	DAT1	I/O/PP	Date Line [Bit1]
9	DAT2	I/O/PP	Date Line [Bit2]

TOLERANCE UNLESS OTHERWISE SPECIFIED		FLW 深圳市华联威电子科技有限公司			
.XXX ±0.10 .XX ±0.20 .X ±0.30		.X' ±3' .XX' ±2'		HUA LIAN WEI TECHNOLOGY ELECTRONICS CO;LTD.	
APPROVED		PART NAME:	SD H3. 5全塑带焊脚有柱10P		
CHECKED		PART No:	SD5209-1715-G61038	C	
DRAWN	chenyiting	PROJECTION:	UNIT:	SCALE	SHEET
DATE	2023.05.26		mm	1:1	1 OF 1
					REV. A