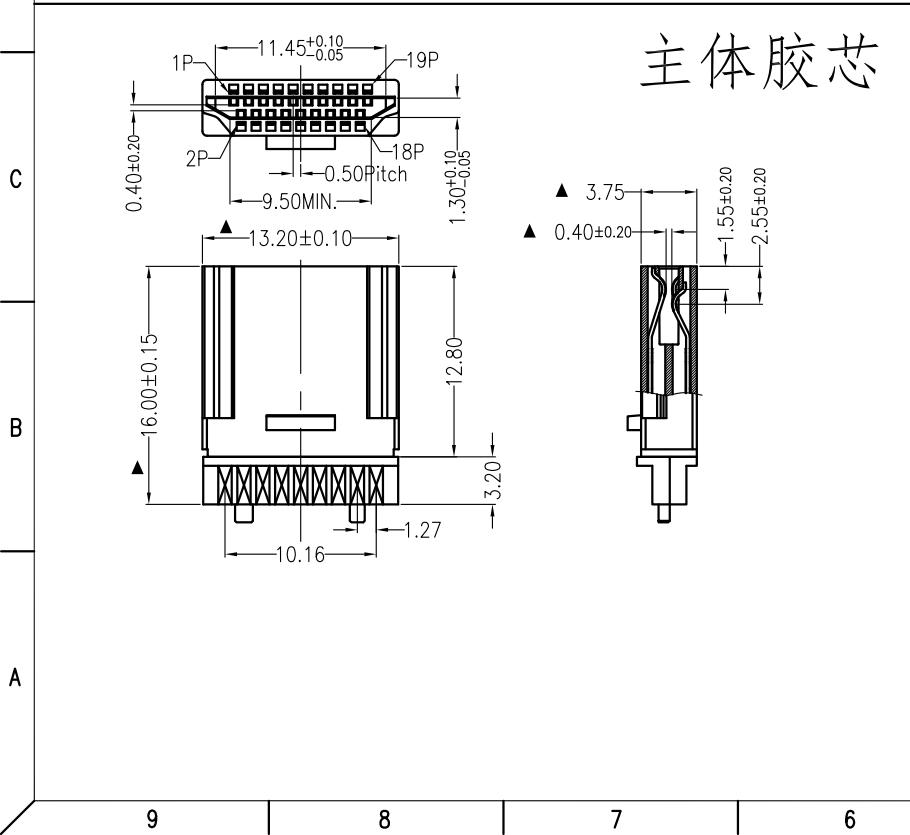


长铁壳

短铁壳

主体胶芯



- Specifications:
- 1.Insertion force:44.1N MAX.
 - 2.Withdrawal force:9.8~39.2N.
 - 3.Durability:10000 Cycles.
 - 4.Current rating:0.5A
 - 5.Voltage rating:40V AC MAX.
 - 6.Dielectric strength:500V AC MIN.(UNMATED);
300V AC MIN.(MATED)
 - 7.Contact resistance:30mΩ MAX.
 - 8.Insulation resistance:
100MΩ DC MIN(UNMATED);10MΩ DC MIN(MATED)
 - 9.Temperature: -40℃ TO +85℃
 - 10.All the material must accord with the RoHS.

HD35-0141-G61078

1: 铁壳镀镍
7: PE袋装
G: 半金G/Fu
1: 黑色
6: LCP

TOLERANCE UNLESS OTHERWISE SPECIFIED		FLW 深圳市华联威电子科技有限公司				
.XXX ±0.10 .XX ±0.20 .X ±0.30		.X' ±3' .XX' ±2'		HUA LIAN WEI TECHNOLOGY ELECTRONICS CO;LTD.		
APPROVED		PART NAME:	HDMI 19P 焊线式B款			
CHECKED		PART No:	HD35-0141-G61078	C		
DRAWN	yangguifeng	PROJECTION:	UNIT:	SCALE	SHEET	REV.
DATE	2021.12.01		mm	1:1	1 OF 1	A