

REV.	ECN.NO.	APPD.
A	/	/

NOTES:

1.MATERIAL:

1.1 Housing:thermoplastic plastics

1.2 terminals:Copper Alloy

Gold plated in contact area:

Tin plated in termination

Nickel Plated overall

1.3 Shell:Steel&Copper Alloy

Nickel/Au Plated overall

2.ELECTRICAL CHARACTERISTICS:

2.1 Rating Current :0.5 Ampere

2.2 Rating Voltage :40 V Max

2.3 Contact Resistance:30 Milli ohms

2.4 Insulation Resistance:100 Mega ohms Min.

3.MECHANICAL CHARACTERISTICS:

3.1 Connector Mating force: 4.5Kg MAX

3.2 Connector Unmating force:0.7~2.5Kg min

3.3 Durability:5000Cycles.

4.ENVIRONMENT CHARACTERISTICS:

4.1 Operating temperature:-20℃ to +85℃

4.2 Storage temperature:-20℃ to +65℃

HD18-0814-G61018

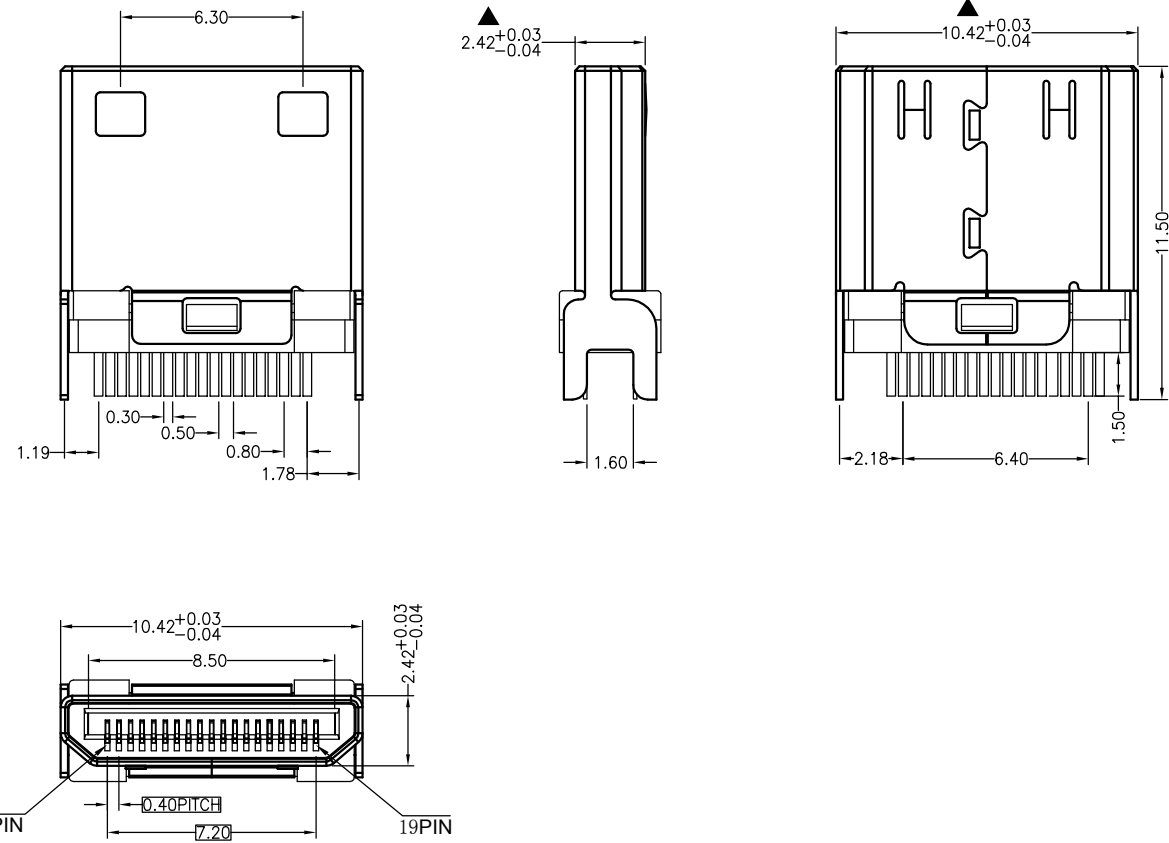
4: 铁壳镀金

1: PE袋

1: 黑色

G: 半金G/Fu"

6: LCP



TOLERANCE UNLESS OTHERWISE SPECIFIED		FLW 深圳市华联威电子科技有限公司						
.XXX ±0.15	.X* ±5°	HUA LIAN WEI TECHNOLOGY ELECTRONICS CO;LTD.						
.XX ±0.20	.XX* ±2°	APPROVED	PART NAME:	HDMI C TYPE 19P 公头夹板1.6				
.X ±0.30		CHECKED	PART No:	HD18-0814-G61018	C			
		DRAWN	chenyiting	PROJECTION:	UNIT:	SCALE	SHEET	REV.
		DATE	2023.05.20		mm	1:1	10F1	A