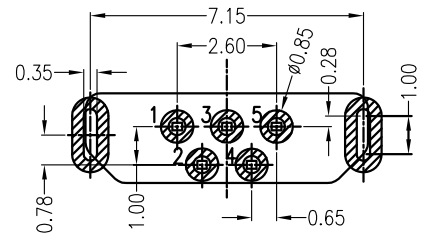
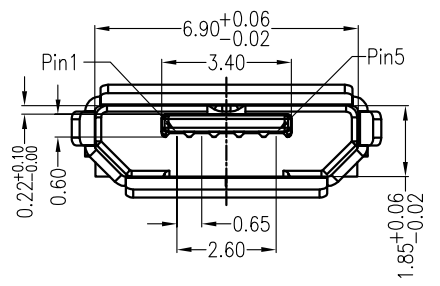
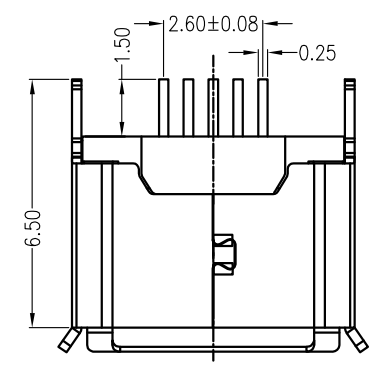
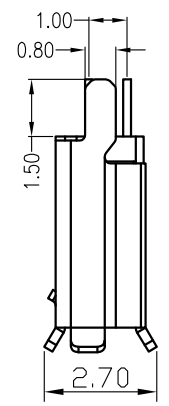
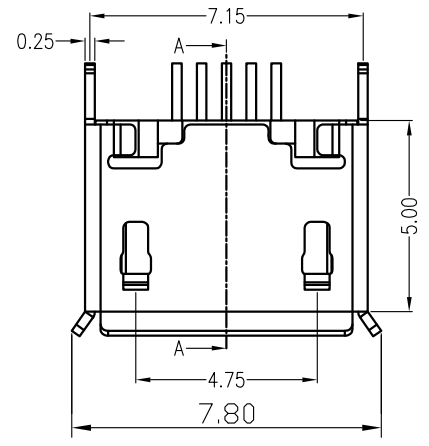
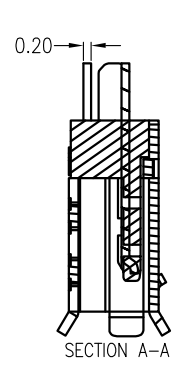
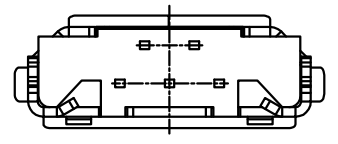


REV.	ECN.NO.	APPD.
A	XXXXXXXXXX	chenyiting



NOTES:

1.MATERIAL:

- 1.1 Housing: thermoplastic plastics,
- 1.2 terminals:Copper Alloy
Gold plated overall
- 1.3 Shell:Steel&Copper Alloy
Nickel/Tin Plated overall

2.ELECTRICAL CHARACTERISTICS:

- 2.1 Rating Current :1.5 Ampere
- 2.2 Rating Voltage :30 V Max
- 2.3 Contact Resistance:50 Milli ohms
- 2.4 Insulation Resistance:100 Mega ohms Min.

3.MECHANICAL CHARACTERISTICS:

- 3.1 Connector Mating force: 35N MAX
- 3.2 Connector Unmating force:7N min

4.ENVIRONMENT CHARACTERISTICS:

- 4.1 Operating temperature:-0°C to +50°C
- 4.2 Storage temperature:-20°C to +60°C

U443-611A-G61038

A: 不锈钢镀雾锡
G: 半金G/Fu"
6: LCP
3: 载带
1: 黑色

TOLERANCE UNLESS OTHERWISE SPECIFIED	
.XXX ±0.10	.X' ±3'
.XX ±0.20	.XX' ±2'
.X ±0.30	

FLW 深圳市华联威电子科技有限公司
HUA LIAN WEI TECHNOLOGY ELECTRONICS CO;LTD.

APPROVED		PART NAME:	MICRO 5P180度短体5.0脚长1.5			
CHECKED		PART No:	U443-611A-G61038	C		
DRAWN	chenyiting	PROJECTION:	UNIT:	SCALE	SHEET	REV.
DATE	2023.04.07		mm	1:1	1 OF 1	A