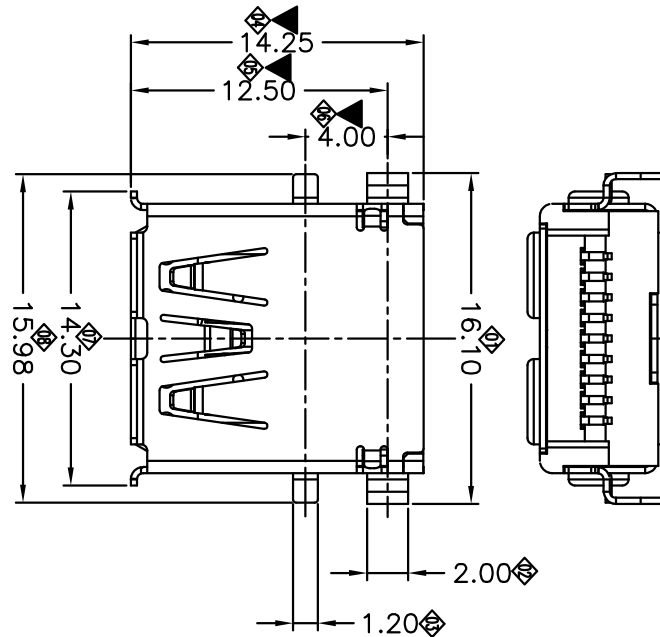
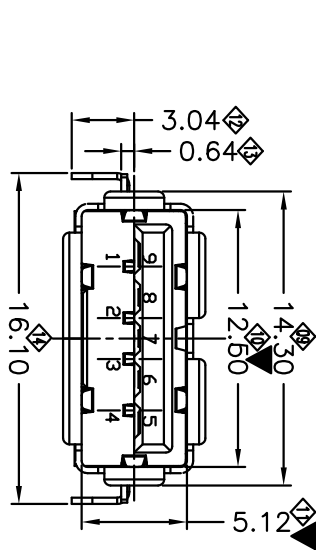
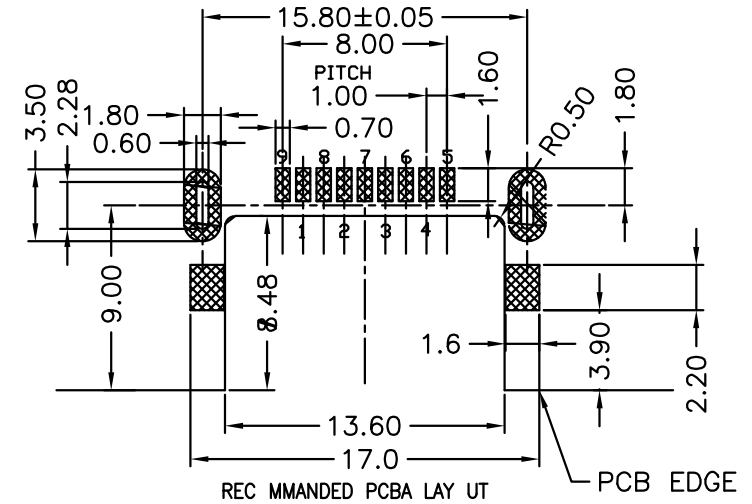
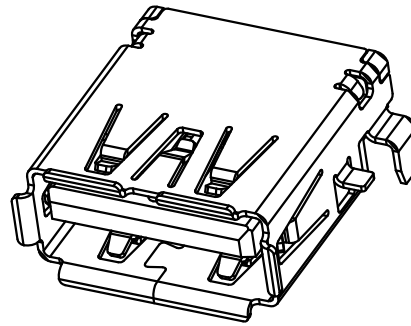
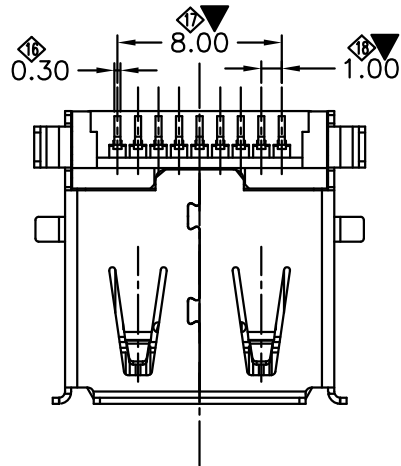
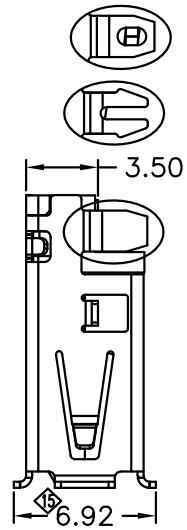


REV.	ECN.NO.	APPD.
A0	/	/



Remark:

1.MATERIAL:

- 1.1 Housing:thermoplastic plastics.
- 1.2 terminals:Copper Alloy
- 1.3 Front Shell:Copper Alloy/SPCC.  
Middle Shell:SPCC

2.characteristics:

- 2.1 Rating Voltage : 30V AC.
- 2.2 Rating Current:PIN1&PIN4(Vbus&Correponding ground PIN)  
1.8A MAX Other PINS 0.25A min.
- 2.3 Contact Resistance:PIN1&PIN4:30 mΩ MAX. Other PINS: 50 mΩ
- 2.4 Insulation Resistance:100 MΩ MIN.
- 2.5 Withstanding Voltage:AC 100V between adjacent contacts
- 2.6 Mating force: 3.57Kgf MAX(35N MAX)
- 2.7 Extraction force:1Kgf Min(9.8N Min)
- 2.8 Life test:1500Cycles MIN.
- 2.9 Temperature Range: -30℃~+80℃.

U327-0515-G67018

- 5:铜壳镀镍
- 1:吸塑盒
- G:半金G/Fu
- 7:蓝色
- 6:LCP

TOLERANCE UNLESS OTHERWISE SPECIFIED		<b>HLW</b> 深圳市华联威电子科技有限公司 HUA LIAN WEI TECHNOLOGY ELECTRONICS CO;LTD.				
.XXX ±0.10	X' ±3'					
.XX ±0.20	.XX' ±2'	APPROVED	PART NAME: USB 3.0 AF SMT沉板3.5mm			
.X ±0.30		CHECKED	PART No: U327-0515-G67018			C
		DRAWED weihong	PROJECTION:	UNIT:	SCALE	SHEET
		DATE 2021.09.06		mm	1:1	10F1
						REV. A0