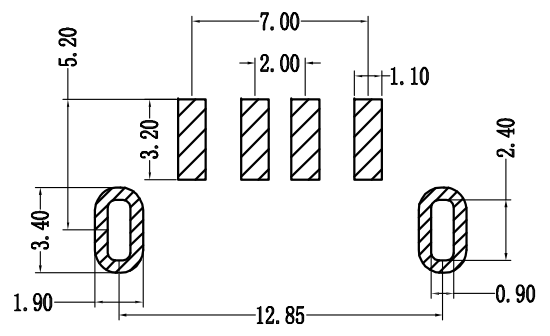
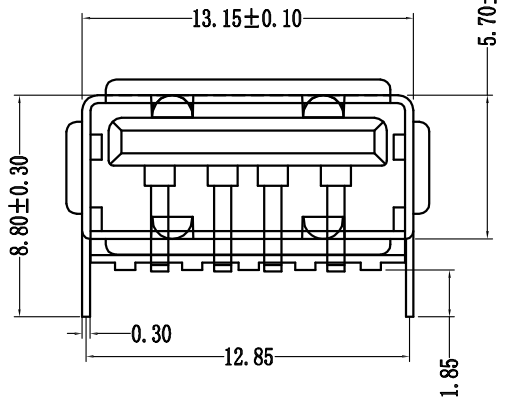
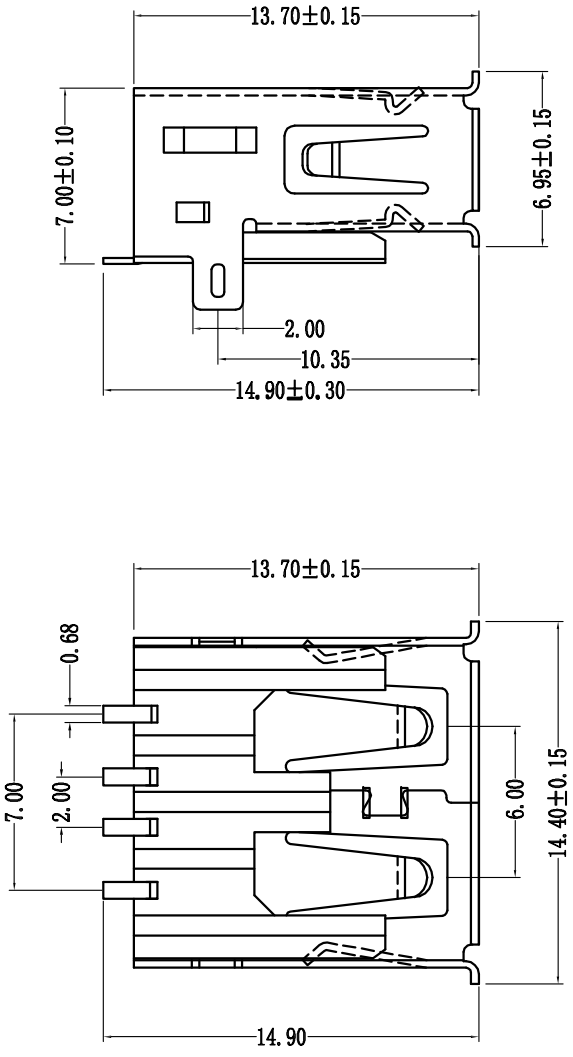


REV.	ECN.NO.	APPD.
A	EXXXXXXXXXXX	chenyiting

- NOTES:
- MATERIAL:
    - Housing:thermoplastic plastics
    - terminals:Copper Alloy  
Gold plated in contact area:  
Tin plated in termination  
Nickel Plated overall
    - Shell:Steel&Copper Alloy  
Nickel Plated overall
  - ELECTRICAL CHARACTERISTICS:
    - Rating Current :1.5 Ampere
    - Rating Voltage :30 V Max
    - Contact Resistance:30 Milli ohms
    - Insulation Resistance:1000 Mega ohms Min.
  - MECHANICAL CHARACTERISTICS:
    - Connector Mating force: 35N MAX(3.57Kgf)
    - Connector Unmating force:10N min(1.02Kgf)
    - Durability:1500Cycles.
  - ENVIRONMENT CHARACTERISTICS:
    - Operating temperature:-0°C to +50°C
    - Storage temperature:-20°C to +60°C

U222-7311-G61038

- 1:铁壳镀镍
- 3:载带
- G:半金G/Fu
- 1:黑色
- 6:LCP



P.C.B LAYOUT

TOLERANCE UNLESS OTHERWISE SPECIFIED		<b>HLW</b> 深圳市华联威电子科技有限公司					
.XXX ±0.10 .XX ±0.20 .X ±0.30		.X' ±3' .XX' ±2'		HUA LIAN WEI TECHNOLOGY ELECTRONICS CO.;LTD.			
APPROVED		PART NAME:	USB AF 90度SMT贴片山字型				
CHECKED		PART No:	U222-7311-G61038			C	
DRAWN	chenyiting	PROJECTION:	UNIT:	SCALE:	SHEET:	REV.:	
DATE	2023.06.02		mm	1:1	1 OF 1	A	