

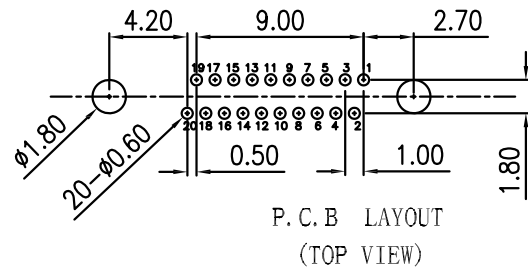
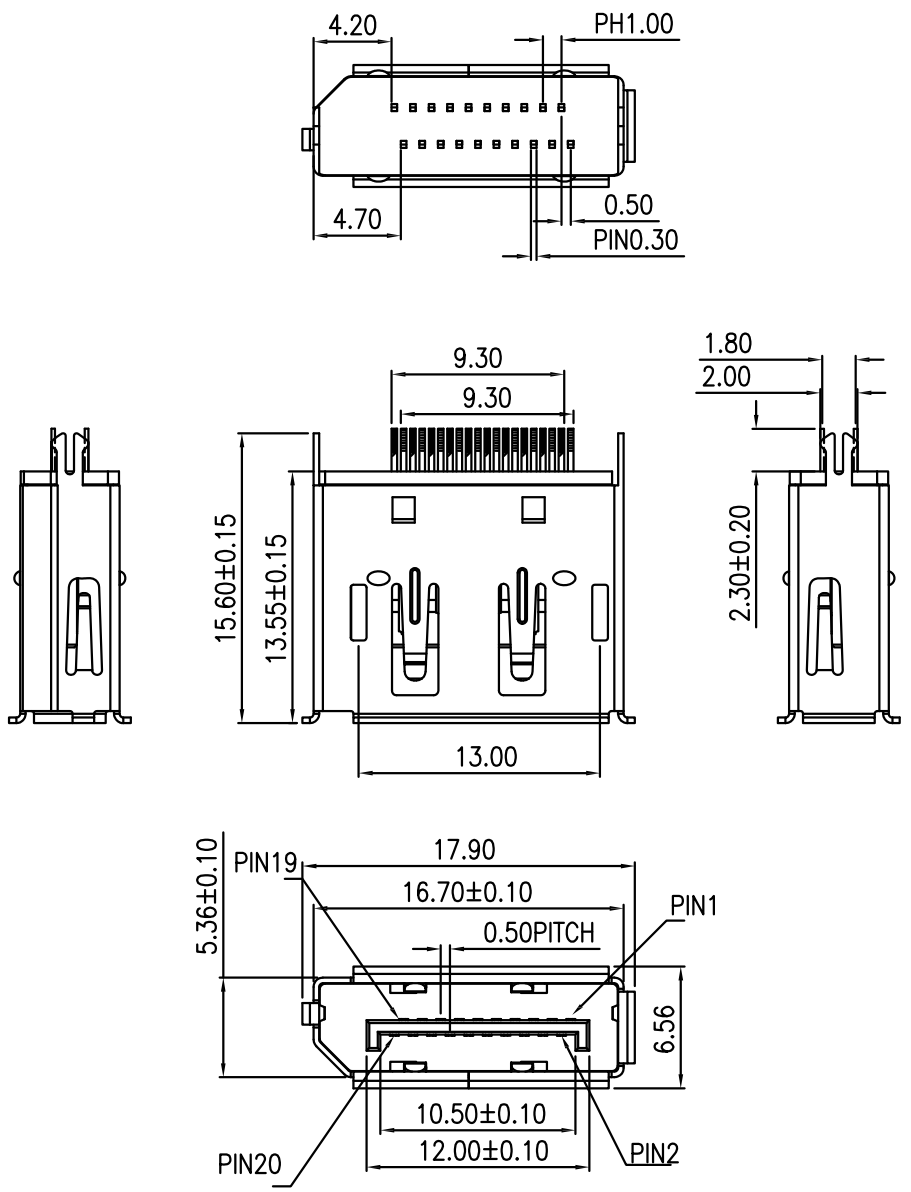
REV.	ECN.NO.	APPD.
A	/	/

NOTES:

1. SPECIFICATION:
- 1.1 CURRENT RATING: 0.5 A
- 1.2 CONTACT RESISTANCE: 30mΩ MAX.
- 1.3 DIELECTRIC WITHSTANDING VOLTAGE: 500V AC
R.M.S FOR ONE MINUTE.
- 1.4 INSULATION RESISTANCE: 100MΩ MIN AT 500V DC.
- 1.5 OPERATING TEMPERATURE: -25° TO +85°.
- 1.6 DURABILITY: 10000 CYCLES.
- 1.7 MATING FORCE: 4.5KG MAX.
- 1.8 UNMATING FORCE: 1.0KG MIN

DP21-0335-G61018

- 5: 铜壳镀镍
- G: 半金G/Fu
- 6: LCP
- 1: 吸塑盒
- 1: 黑色



P. C. B LAYOUT
(TOP VIEW)

TOLERANCE UNLESS OTHERWISE SPECIFIED	
.XXX ±0.10	.X' ±3'
.XX ±0.20	.XX' ±2'
.X ±0.30	

FLW 深圳市华联威电子科技有限公司
HUA LIAN WEI TECHNOLOGY ELECTRONICS CO;LTD.

APPROVED		PART NAME:	DP 180度 鱼叉脚			
CHECKED		PART No:	DP21-0335-G61018			C
DRAWN	weihong	PROJECTION:	UNIT:	SCALE	SHEET	REV.
DATE	2021.11.06		mm	1:1	10F1	A