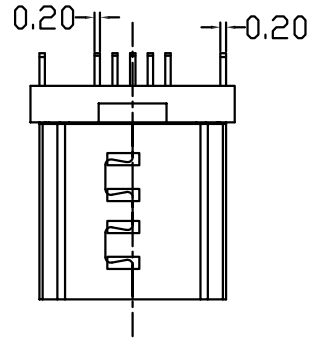
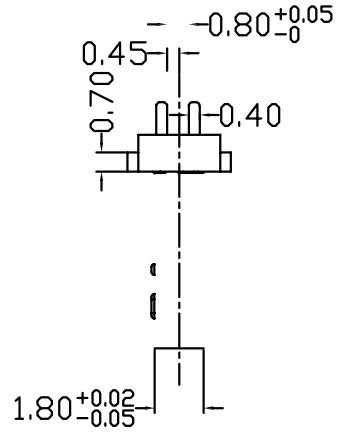
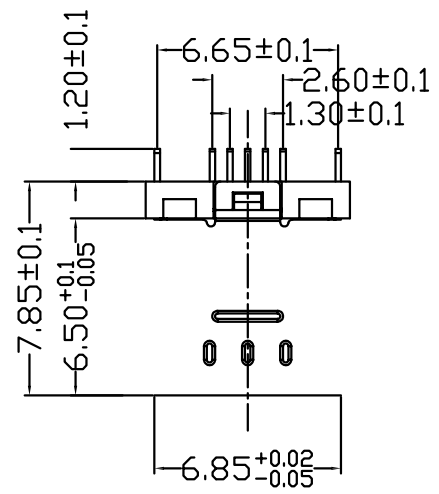
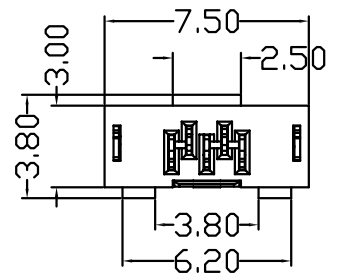


REV.	ECN.NO.	APPD.
A	XXXXXXXXXX	chenyiting

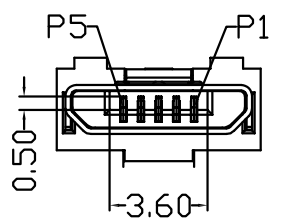
NOTES:

- 1.MATERIAL:
 - 1.1 Housing: thermoplastic plastics,
 - 1.2 terminals:Copper Alloy
Gold plated overall
 - 1.3 Shell:Steel&Copper Alloy
Nickel/Tin Plated overall
- 2.ELECTRICAL CHARACTERISTICS:
 - 2.1 Rating Current :1.5 Ampere
 - 2.2 Rating Voltage :30 V Max
 - 2.3 Contact Resistance:50 Milli ohms
 - 2.4 Insulation Resistance:100 Mega ohms Min.
- 3.MECHANICAL CHARACTERISTICS:
 - 3.1 Connector Mating force: 35N MAX
 - 3.2 Connector Unmating force:7N min
- 4.ENVIRONMENT CHARACTERISTICS:
 - 4.1 Operating temperature:-0°C to +50°C
 - 4.2 Storage temperature:-20°C to +60°C



U442-8011-G61078

1: 铁壳镀镍
7: 袋装
G: 半金G/Fu
1: 黑色



TOLERANCE UNLESS OTHERWISE SPECIFIED		FLW 深圳市华联威电子科技有限公司 HUA LIAN WEI TECHNOLOGY ELECTRONICS CO;LTD.				
.XXX ±0.10	.XX ±0.20	.X ±0.30	.X' ±3'	.XX' ±2'		
APPROVED		PART NAME:	MICRO 5P/F公头			
CHECKED		PART No:	U442-8011-G61078	C		
DRAWN	chenyiting	PROJECTION:	UNIT:	SCALE	SHEET	REV.
DATE	2021.04.14		mm	1:1	10F1	A