

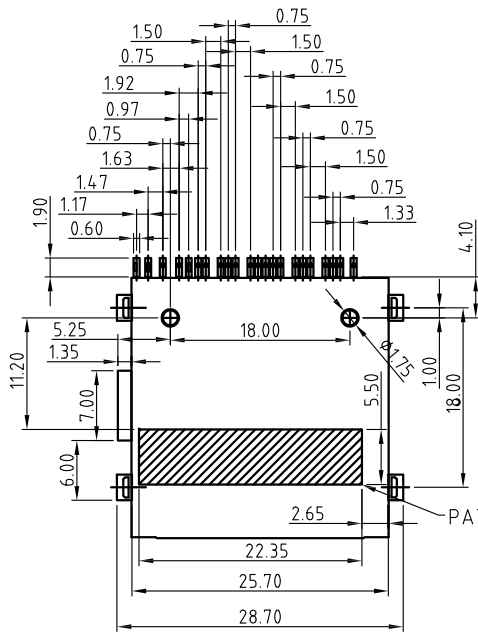
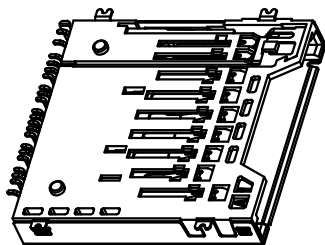
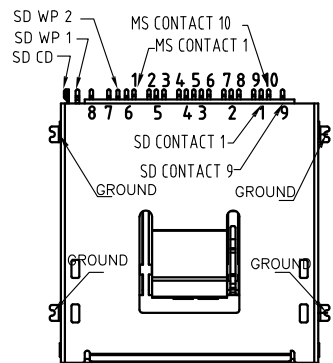
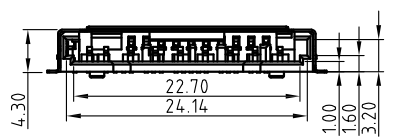
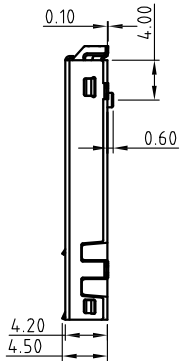
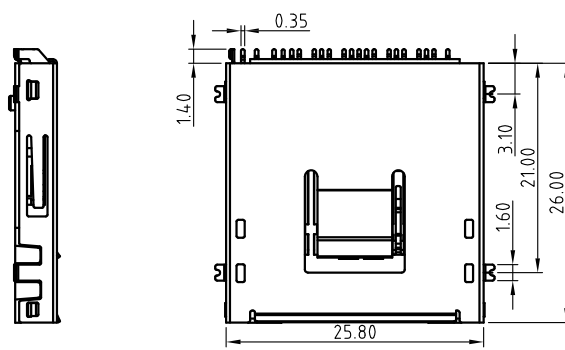
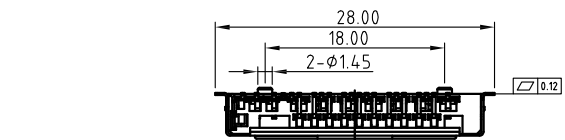
REV.	ECN.NO.	APPD.
A	EXXXXXXXXXX	chenyiting

F

E

B

A



P.C.B Layout

*Electrical Characteristics:
 Contact Current Rating:0.5 Amperes.
 Dielectric Withstanding Voltage:AC500V r.m.s.
 Insulation Resistance:1000 MΩ Minimum.
 Contact Resistance:100 mΩ Maximum.

*Environmental:
 Operating Temperature:-25°C~+90°C.

*Environmental:
 Mating Cycles:5000~10,000 Insertions.

*Mechanical Characteristics:
 Card Push Insertion/Out Force:1.4kgf. MAX
 Contact Separation Force:0.20kgf Minimum.

*Material:
 Insulator:HI-Temp Plastic UL 94V-O Rated.
 Contact:Copper Alloy(t=0.15mm).
 Shell:Stainless Steel(t=0.20mm).
 Spring:SWP.

SD5209-19B-G618

B:不锈钢镀镍

G:半金/Fu

1:黑色

6:LCP

SD CARD CIRCUIT

WITHOUT CARD		CARD INSERTED		CARD INSERTED	
		WRITE PROTCT-LOCK		WRITE PROTECT-UNLOCK	
SD CD --CARD DETECT PIN SD WP 1--WRITE PROTECT PIN1 SD WP 2--WRITE PROTECT PIN2 GROUND --COMMON PIN					

TOLERANCE UNLESS OTHERWISE SPECIFIED	
.XXX ±0.10	.X ±3'
.XX ±0.20	.XX' ±2'
.X ±0.30	

FLW 深圳市华联威电子科技有限公司

HUA LIAN WEI TECHNOLOGY ELECTRONICS CO;LTD.

APPROVED		PART NAME:	SD 卡座三合一			
CHECKED		PART No:	SD5209-19B-G618	C		
DRAWN	chenyiting	PROJECTION:	UNIT:	SCALE	SHEET	REV.
DATE	2023.05.26		mm	1:1	10F1	A

F

E

B

A

由 Autodesk 教育版产品制作