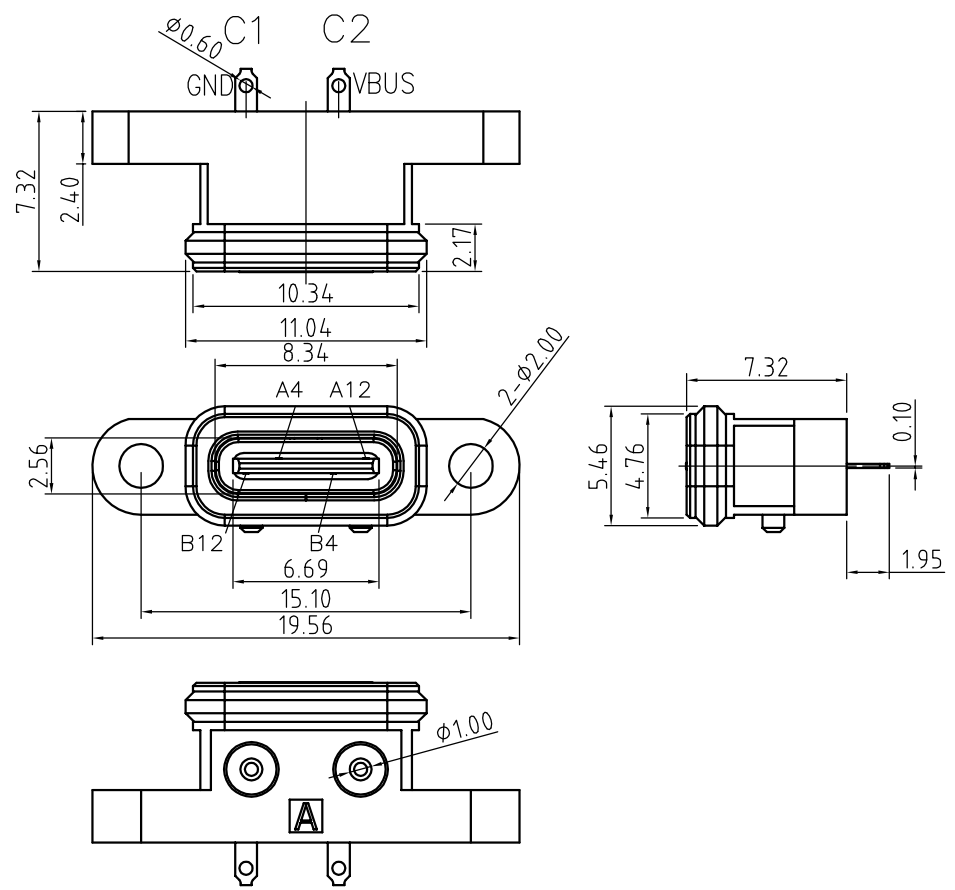


|      |            |             |
|------|------------|-------------|
| REV. | ECN.NO.    | APPD.       |
| A    | EXXXXXXXXX | yangguifeng |

NOTES:  
SPECIFICATION:

1. CURRENT RATING: 3.0A MAX
2. DIELECTRIC WITHSTAND VOLTAGE: 100VAC
3. TEMPERATURE RANGE: -30 °C ~ 85 °C
4. CONTACT RESISTANCE: 40 MILLIONHM MAX
5. INSULATION RESISTANCE: 100 MEGOHMS MIN.
6. INSERTION FORCE : 5N~20N
7. UNMATING FORCE: 8N~20N
8. DURABILITY:5000 CYCLES

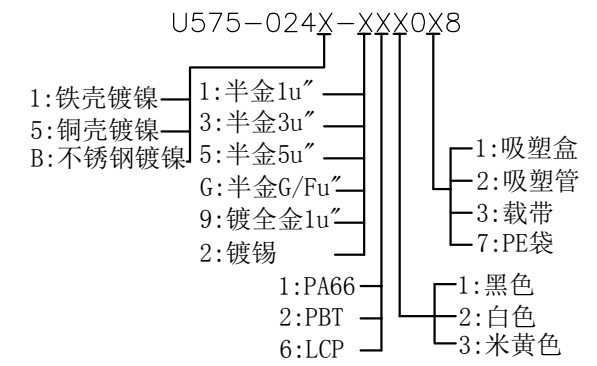
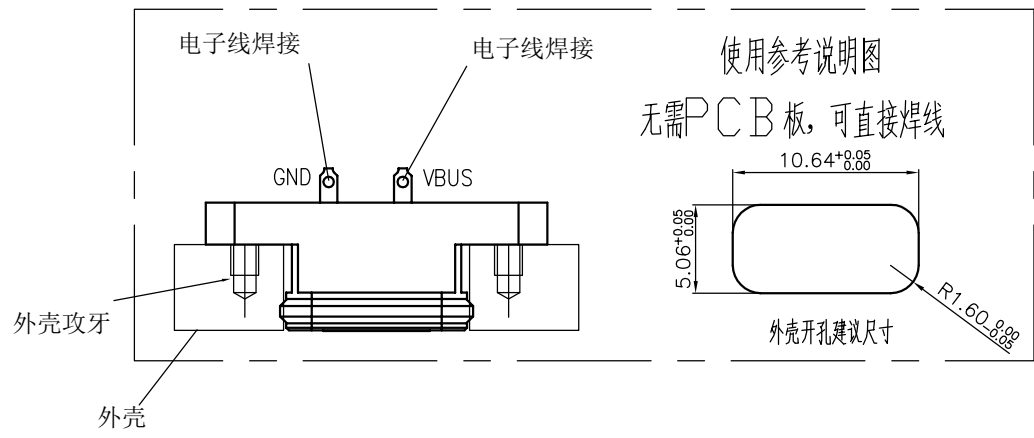


PIN ASSIGNMENT

|             |         |       |
|-------------|---------|-------|
| PIN NO.     | A12&B12 | A4&B4 |
| SINGAL NAME | GND     | VBUS  |
| PCB PAD NO. | C1      | C2    |

INTERFACE(FRONT VIEW)

|     |     |     |      |    |    |    |    |    |      |     |     |
|-----|-----|-----|------|----|----|----|----|----|------|-----|-----|
| A1  | A2  | A3  | A4   | A5 | A6 | A7 | A8 | A9 | A10  | A11 | A12 |
|     |     |     | VBUS |    |    |    |    |    |      |     | GND |
| GND |     |     |      |    |    |    |    |    | VBUS |     |     |
| B12 | B11 | B10 | B9   | B8 | B7 | B6 | B5 | B4 | B3   | B2  | B1  |



|                                      |             |   |                       |       |        |
|--------------------------------------|-------------|---|-----------------------|-------|--------|
| TOLERANCE UNLESS OTHERWISE SPECIFIED |             | <b>FLW 深圳市华联威电子科技有限公司</b>                   |                       |       |        |
| .XXX ±0.10<br>.XX ±0.20<br>.X ±0.30  |             | HUA LIAN WEI TECHNOLOGY ELECTRONICS CO;LTD. |                       |       |        |
| APPROVED                             |             | PART NAME:                                  | TYPE C 2P 外接焊线带耳有柱1.0 |       |        |
| CHECKED                              |             | PART No:                                    | U575-024B-G61078      |       | C      |
| DRAWN                                | yangguifeng | PROJECTION:                                 | UNIT:                 | SCALE | SHEET  |
| DATE                                 | 2021.12.01  |   | mm                    | 1:1   | 1 OF 1 |
|                                      |             |   |                       |       | REV. A |

由 Autodesk 教育版产品制作

由 Autodesk 教育版产品制作