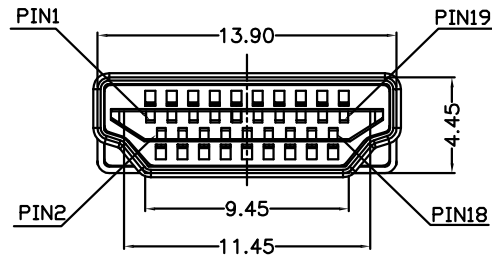
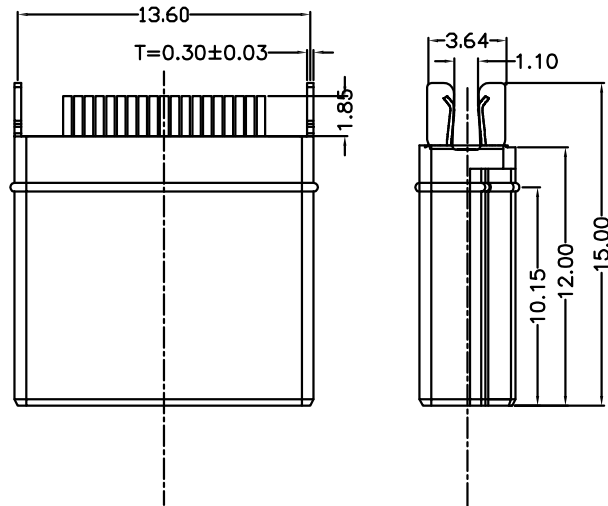
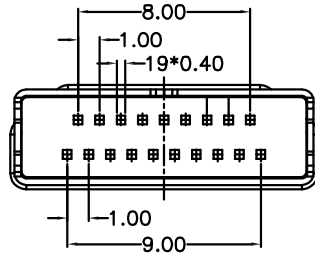


REV.	ECN.NO.	APPD.
A	/	/



NOTES:

- 1.MATERIAL:
 - 1.1 Housing:thermoplastic plastics
 - 1.2 terminals:Copper Alloy
Gold plated in contact area:
Tin plated in termination
Nickel Plated overall
 - 1.3 Shell:Steel&Copper Alloy
Nickel/Au Plated overall
- 2.ELECTRICAL CHARACTERISTICS:
 - 2.1 Rating Current :0.5 Ampere
 - 2.2 Rating Voltage :40 V Max
 - 2.3 Contact Resistance:30 Milli ohms
 - 2.4 Insulation Resistance:100 Mega ohms Min.
- 3.MECHANICAL CHARACTERISTICS:
 - 3.1 Connector Mating force: 4.5kg MAX
 - 3.2 Connector Unmating force:1.0Kg min
 - 3.3 Durability:10000Cycles.
- 4.ENVIRONMENT CHARACTERISTICS:
 - 4.1 Operating temperature:-20℃ to +85℃
 - 4.2 Storage temperature:-20℃ to +65℃

HD18-0615-G61018

5:Copper alloy
Ni plating

G: Au G/Fu"

1:tray

1:Black

6:LCP

TOLERANCE UNLESS OTHERWISE SPECIFIED		FLW 深圳市华联威电子科技有限公司					
.XXX ±0.10	.XX ±0.20	.X ±0.30	HUA LIAN WEI TECHNOLOGY ELECTRONICS CO.,LTD.				
.X* ±3°	.XX* ±2°						
APPROVED		PART NAME:	HDMI 19P公头夹板1.2弯端长1.85有筋款2.1版本				
CHECKED		PART No:	HD18-0615-G61018			C	
DRAWN	weihong	PROJECTION:	UNIT:	SCALE	SHEET	REV.	
DATE	2021.08.12		mm	1:1	10F1	A	