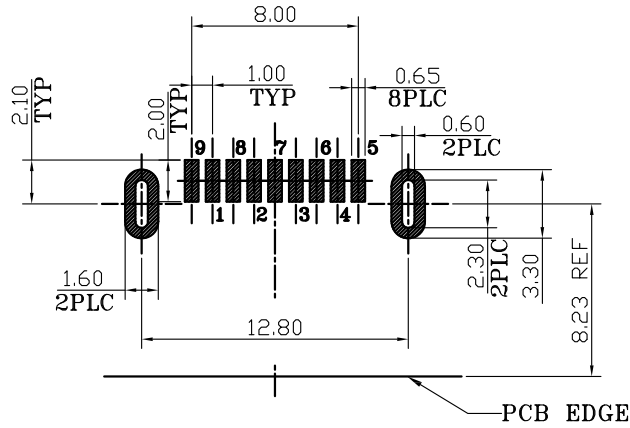
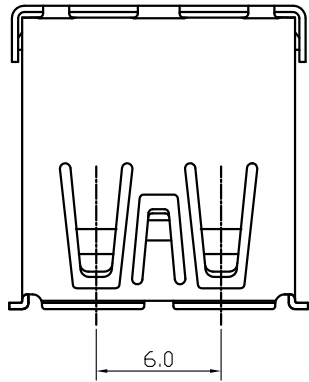


REV.	ECN.NO.	APPD.
A	/	WANGZHI



TOLERANCE: ± 0.05 ,
RECOMMENDED PCB LAYOUT
(TOP VIEW)

Remark:

1.MATERIAL:

1.1 Housing:thermoplastic plastics.

1.2 terminals:Copper Alloy

1.3 Front Shell:Copper Alloy/SPCC.
Middle Shell:SPCC

2.characteristics:

2.1 Rating Voltage : 30V AC.

2.2 Rating Current:PIN1&PIN4(Vbus&Correponding ground PIN)

1.8A MAX Other PINS 0.25A min.

2.3 Contact Resistance:PIN1&PIN4:30 mΩ MAX. Other PINS: 50 mΩ

2.4 Insulation Resistance:100 MΩ MIN.

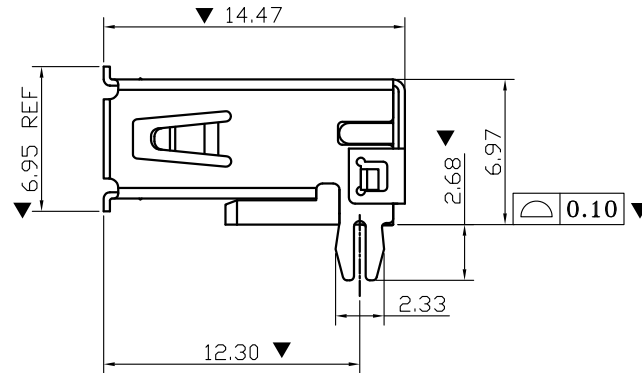
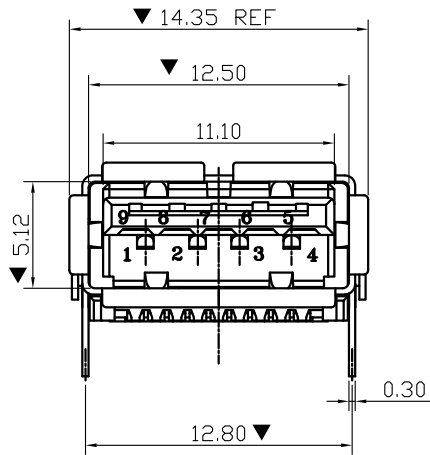
2.5 Withstanding Voltage:AC 100V between adjacent contacts

2.6 Mating force: 3.57Kgf MAX(35N MAX)

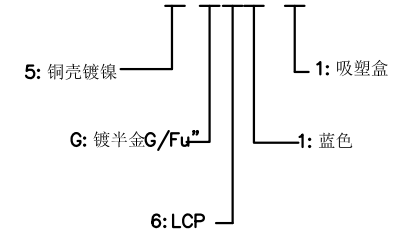
2.7 Extraction force:1Kgf Min(9.8N Min)

2.8 Life test:1500Cycles MIN.

2.9 Temperature Range: $-30^{\circ}\text{C}\sim+80^{\circ}\text{C}$.



U322-0935-G61018



TOLERANCE UNLESS OTHERWISE SPECIFIED		HLW 深圳市华联威电子科技有限公司 HUA LIAN WEI TECHNOLOGY ELECTRONICS CO;LTD.				
.XXX ± 0.10	.X' $\pm 3'$	PART NAME:		USB3.0 AF SMT外壳鱼叉脚有卷边蓝铜		
.XX ± 0.20	.XX' $\pm 2'$	APPROVED	PART No:		U322-0935-G61018	C
.X ± 0.30		CHECKED	DRAWN		yangguifeng	PROJECTION:
		DATE	2021.10.20	UNIT:	mm	SCALE
				SHEET	10F1	REV.
						A