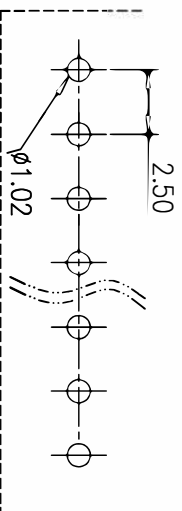
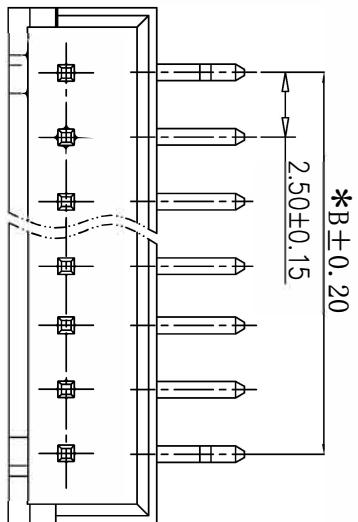


REV.	ECN/NO.	APPD.
A	/	/

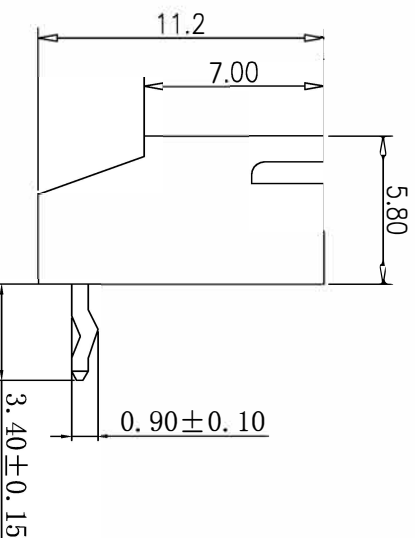
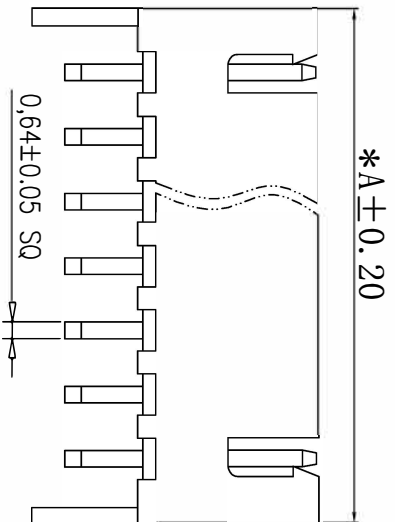
NOTES:

PART NO. : B572501-W-XP
 Solder Joint Rating: 3A AC DC
 Voltage Rating: 250V AC DC
 Temperature Range: -25°C~+120°C
 Contact Resistance: 20m max Ω
 Insulation Resistance: 1000M miR
 Withstanding Voltage: 800V
 Material: WAFER: P466 UL 94V-0
 PIN: BRASS/TIPLATED

Recommended P. C. B Layout (Top Side)
 P. C. B Thickness = 1.20mm
 (Tolerance=±0.05)



P.C. Board Layout



PART NO. (90°)	Dimensions	
	A	B
XH2. 5-2A	7.50	2.50
XH2. 5-3A	10.00	5.00
XH2. 5-4A	12.50	7.50
XH2. 5-5A	15.00	10.00
XH2. 5-6A	17.50	12.50
XH2. 5-7A	20.00	15.00
XH2. 5-8A	22.50	17.50
XH2. 5-9A	25.00	20.00
XH2. 5-10A	27.50	22.50
XH2. 5-11A	30.00	25.00
XH2. 5-12A	32.50	27.50
XH2. 5-13A	35.00	30.00
XH2. 5-14A	37.50	32.50
XH2. 5-15A	40.00	35.00
XH2. 5-16A	42.50	37.50

TOLERANCE UNLESS OTHERWISE SPECIFIED	
XXX ±0.10	X ±3°
.XX ±0.20	XX ±2
.X ±0.30	

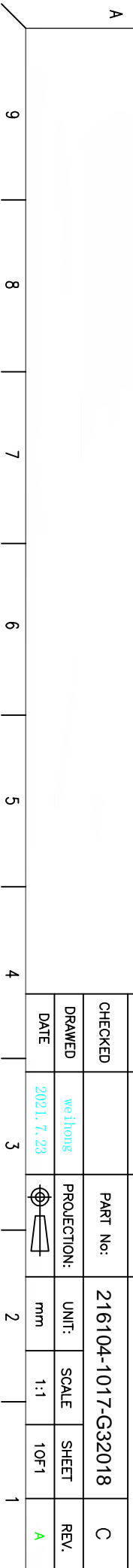
PART NAME: 针座 间距2.5 卧插 12P

PART No.: 216104-1017-G32018

CHECKED: weihong

DRAWN: weihong

DATE: 2021.7.23



HLW 深圳市华联威电子科技有限公司
 HUA LIAN WEI TECHNOLOGY ELECTRONICS CO.,LTD.

PROJECTION:

UNIT: mm SCALE: 1:1 SHEET: 10F-1 REV: A