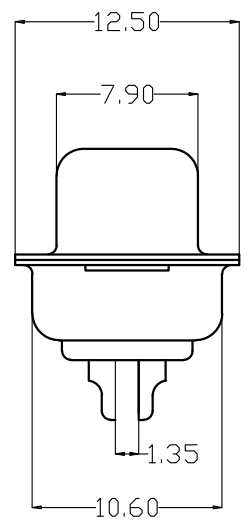
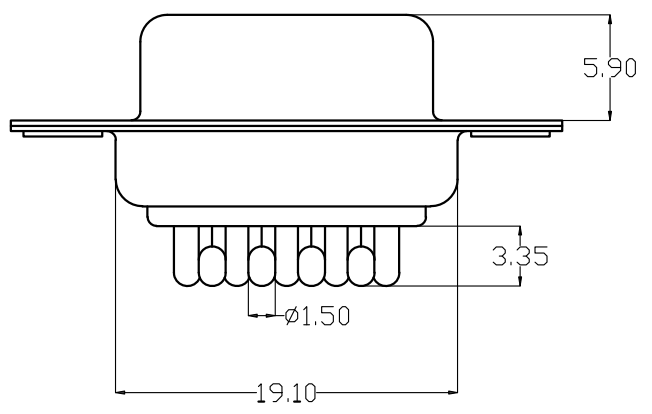
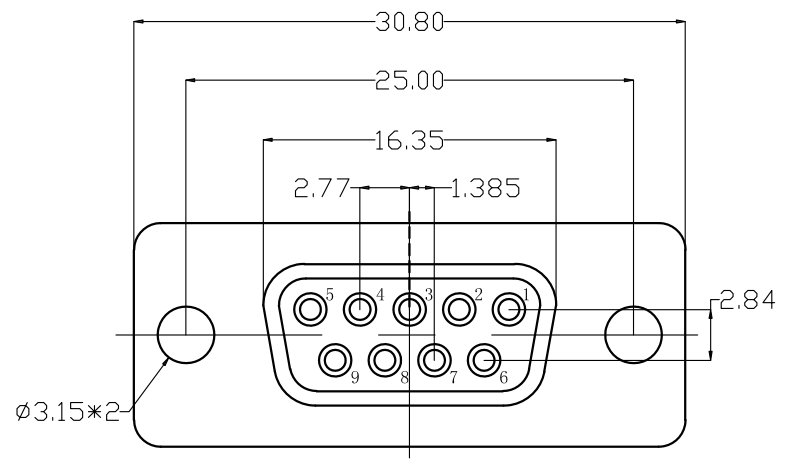


REV.	ECN.NO.	APPD.
A	/	/



1.SPECIFICATION

- 2.1 Current Rate:5 Amps
- 2.2 Insulator Resistance:100MΩ Min.
- 2.3 Dielectric Strength:500V AC PER MIN
- 2.4 Operation Temperature:-55℃~+105℃
- 2.5 Contact Resistance:30mΩ Max

DS412-4111-G2B7
 G:半金G/Fu” B: 蓝色
 2:PBT

TOLERANCE UNLESS OTHERWISE SPECIFIED		FLW 深圳市华联威电子科技有限公司					
.XXX ±0.10		HUA LIAN WEI TECHNOLOGY ELECTRONICS CO;LTD.					
SQXX ±0.20		.X' ±3'					
.X ±0.30		.XX' ±2'					
APPROVED		PART NAME:	D-SUB DB 9F 焊线 插座				
CHECKED		PART No:	DS412-4111-G2B7			C	
DRAWN	chenyiting	PROJECTION:	UNIT:	SCALE	SHEET	REV.	
DATE	2022.10.09		mm	1:1	10F1	A	