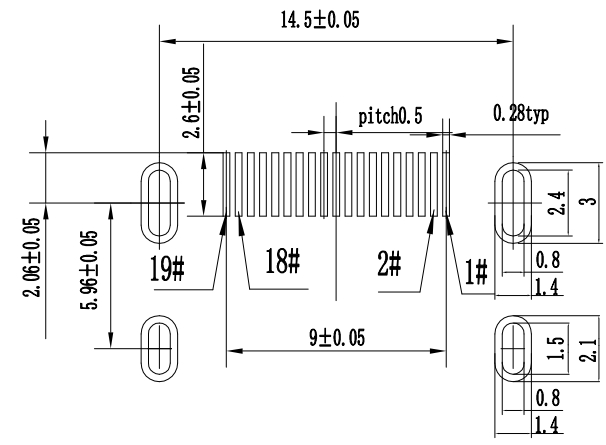
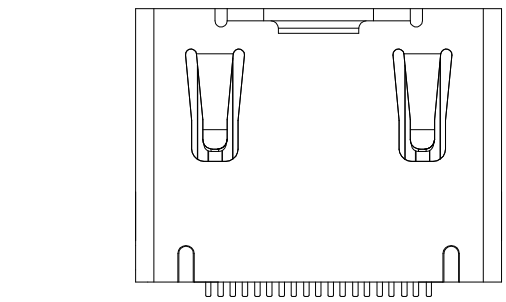
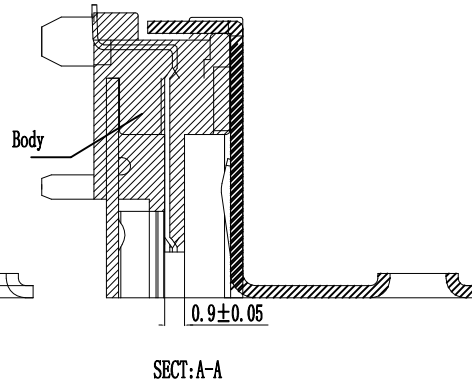
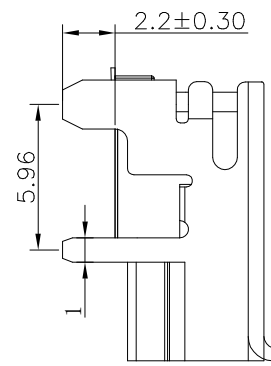
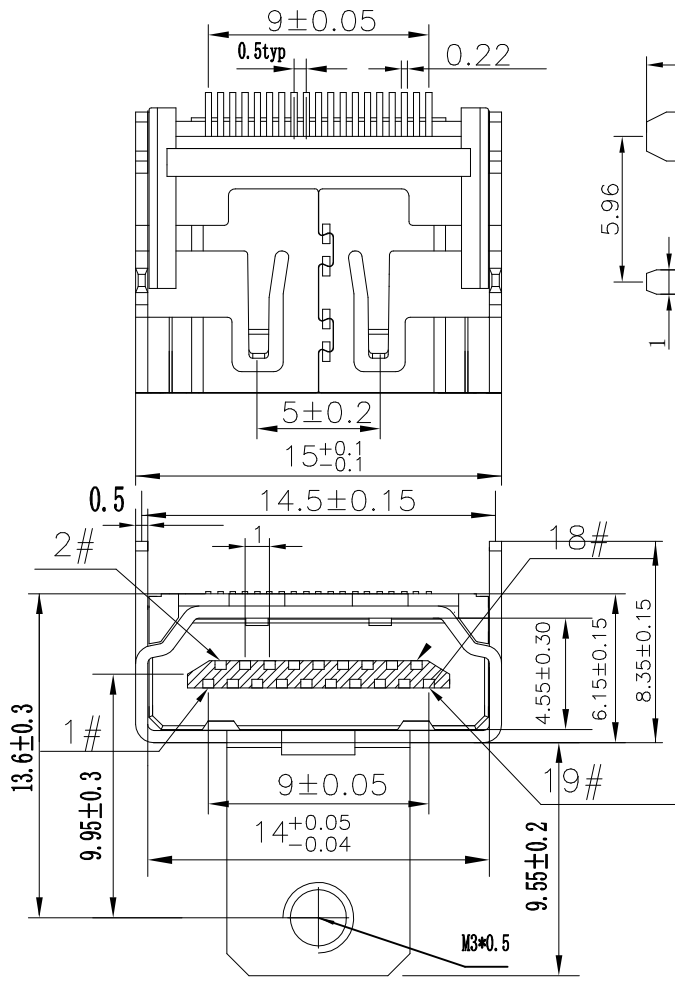


REV.	ECN.NO.	APPD.
AO	/	/



- 规格:
1. 插入力: 44.1N MAX.
  2. 拔出力: 7~25N
  3. 耐久性: 10000 CYCLES MIN.
  4. 额定电流: 0.5A
  5. 额定电压: 40V MAX
  6. 耐电压: 500V AC MIN. (UNMATED)  
300V AC MIN. (MATED)
  7. 接触阻抗: 30mΩ MAX.
  8. 绝缘电阻: 100MΩ MIN (UNMATED)  
10MΩ MIN (MATED)
  9. 工作温度: -20°C TO +85°C
  10. 所用材质须符合RoHS要求

- HD21-0915-XXXOx8
- G: 半金G/F
  - 1: 半金1u"
  - 3: 半金3u"
  - 5: 半金5u"
  - 8: 半金15u"
  - 9: 镀全金1u"
- 1: 吸塑盒
  - 3: 载带冷封
  - 8: 载带热封
- 1: 黑色
  - E: 蓝色300C-3
  - 7: 蓝色300C
- 1: PA66
  - 2: PBT
  - 6: LCP

P.C.B  
EDGE  
P.C.B LAYOUT

TOLERANCE UNLESS OTHERWISE SPECIFIED		<b>FLW</b> 深圳市华联威电子科技有限公司			
		HUA LIAN WEI TECHNOLOGY ELECTRONICS CO.;LTD.			
.XXX ±0.10	.X ±3'	APPROVED	PART NAME: HDMI 19P/F 单耳无后盖黑铜		
.XX ±0.20	.XX' ±2'	CHECKED	PART No: HD21-0915-161018		C
.X ±0.30		DRAWED weihong	PROJECTION:	UNIT: mm	SCALE: 1:1
		DATE: 2021.07.30		SHEET: 10F1	REV: AO