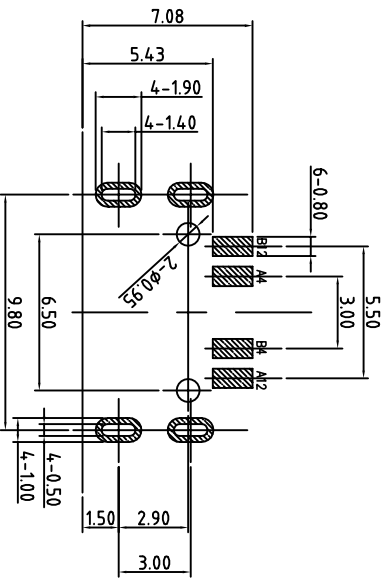
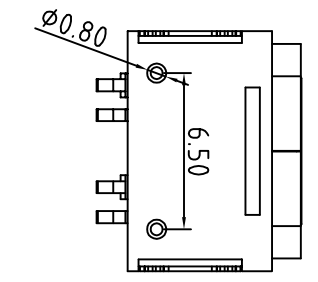
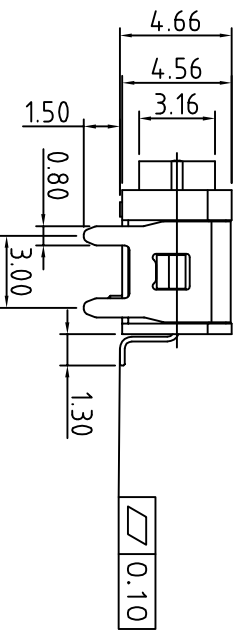
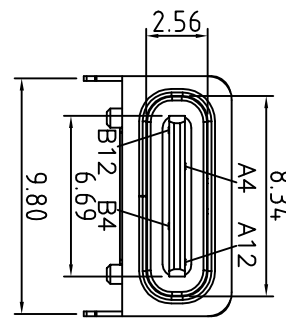


NOTES:  
SPECIFICATION:

1. CURRENT RATING: 3.0A MAX
2. DIELECTRIC WITHSTAND VOLTAGE: 100VAC
3. TEMPERATURE RANGE: -30 °C ~ 85 °C
4. CONTACT RESISTANCE: 40 MILLIONHM MAX
5. INSULATION RESISTANCE: 100 MEGOHMS MIN.
6. INSERTION FORCE : 5N~20N
7. UNMATING FORCE: 8N~20N
8. DURABILITY: 5000 CYCLES



- U572-971X-XXXXX8
- 1: 铁壳镀镍
  - 3: 半金3u"
  - 5: 铜壳镀镍
  - B: 不锈钢镀镍
  - 1: 半金1u"
  - 3: 半金5u"
  - 5: 半金5u"
  - G: 半金G/Fu"
  - 9: 镀全金1u"
  - 2: 镀锡
  - 1: PA66
  - 2: PBT
  - 6: LCP
  - 1: 吸塑盒
  - 2: 吸塑管
  - 3: 载带
  - 6: 载带+贴麦拉
  - 1: 黑色
  - 2: 白色
  - 3: 米黄色

RECOMMENDED PCB LAYOUT(TOP VIEW)

THICKNESS T=1.0mm  
DEFAULT TOLERANCE+/-0.05

A4	VBUS	B12	GND
A12	GND	B4	VBUS
PIN	SIGNAL NAME	PIN	SIGNAL NAME

TOLERANCE UNLESS OTHERWISE SPECIFIED		PART NAME:	
XXX ±0.10	X' ±3'	TYPE C 4P SMT四脚有柱1.0	
XX ±0.20	.XX ±2'	PART No: U572-971B-661038	
X ±0.30	.XX ±2'	PROJECTION: mm	
APPROVED		UNIT:	SCALE
CHECKED		SCALE	1:1
DRAWN	yongguifeng	SHEET	1 OF 1
DATE	2021.12.01	REV.	A

REV.	ECON.NO.	APPD.
A	EXXXXXXXXXXX	yongguifeng

**HW** 深圳市华联威电子科技有限公司  
HUA LIAN WEI TECHNOLOGY ELECTRONICS CO.,LTD.