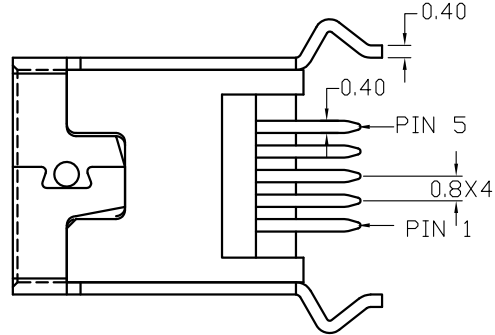
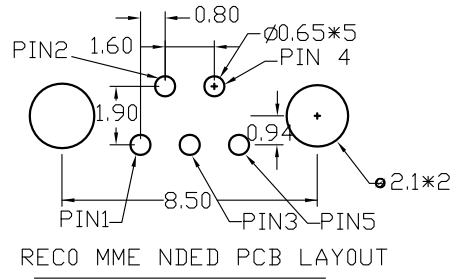
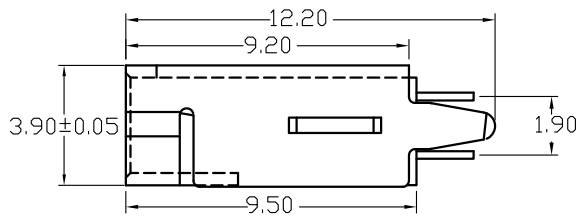
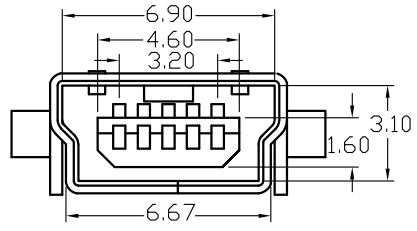
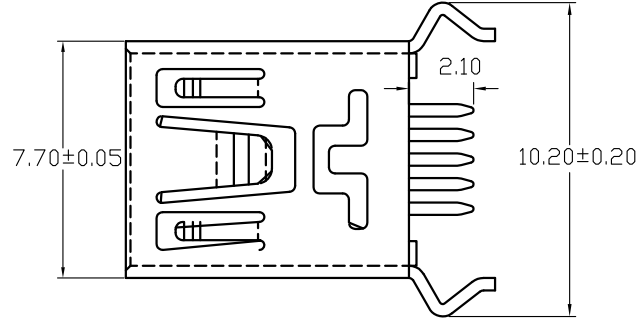


REV.	ECN.NO.	APPD.
AO	/	/



- NOTES:
- MATERIAL:
    - Housing: thermoplastic plastics,
    - terminals: Copper Alloy  
Gold plated in contact area:  
Tin 40u"min plated in termination  
Nickel Plated overall
    - Shell: Steel & Copper Alloy  
Nickel/Tin Plated overall
  - ELECTRICAL CHARACTERISTICS:
    - Rating Current : 1.5 Ampere
    - Rating Voltage : 30 V Max
    - Contact Resistance: 50 Milli ohms
    - Insulation Resistance: 100 Mega ohms Min.
  - MECHANICAL CHARACTERISTICS:
    - Connector Mating force: 35N MAX
    - Connector Unmating force: 7N min
  - ENVIRONMENT CHARACTERISTICS:
    - Operating temperature: -0°C to +50°C
    - Storage temperature: -20°C to +60°C

U143-0325-G61018

5: 铜壳镀镍 ———— 1: 吸塑盒  
G: 半金G/Fu" ———— 1: 黑色  
6: LCP

TOLERANCE UNLESS OTHERWISE SPECIFIED		<b>FLW</b> 深圳市华联威电子科技有限公司				
.XXX ±0.10 .XX ±0.20 .X ±0.30		.X' ±3' .XX' ±2'		HUA LIAN WEI TECHNOLOGY ELECTRONICS CO;LTD.		
APPROVED		PART NAME:	USB MINI 5F 180度			
CHECKED		PART No:	U143-0325-G61018			C
DRAWN	chenyiting	PROJECTION:	UNIT:	SCALE	SHEET	REV.
DATE	2022. 04. 20		mm	1:1	10F1	AO