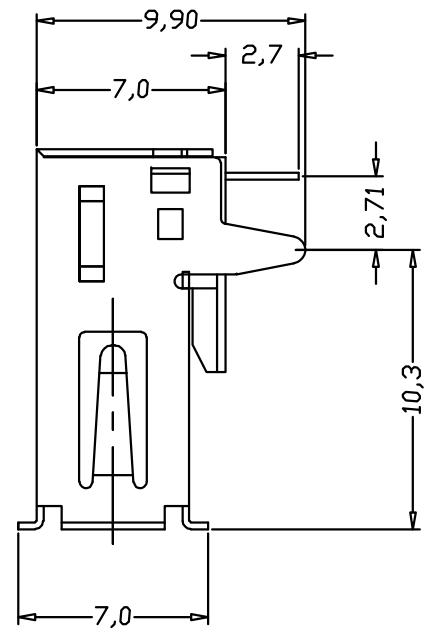
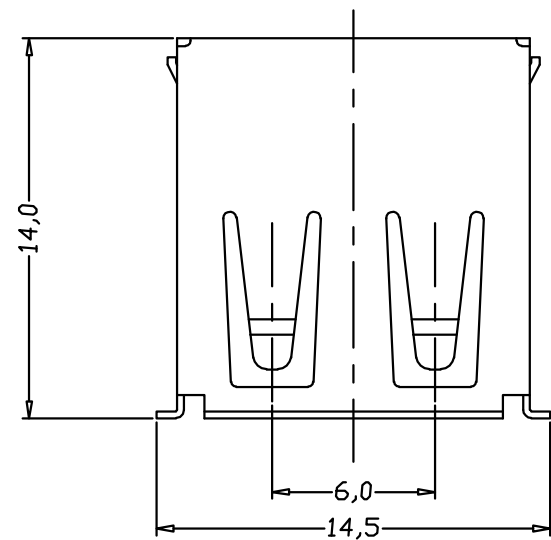
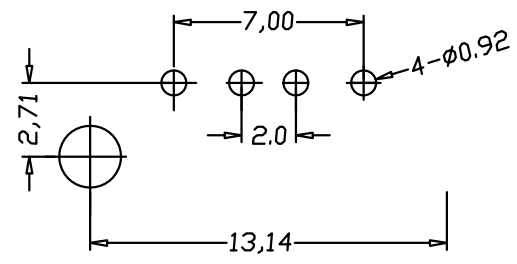
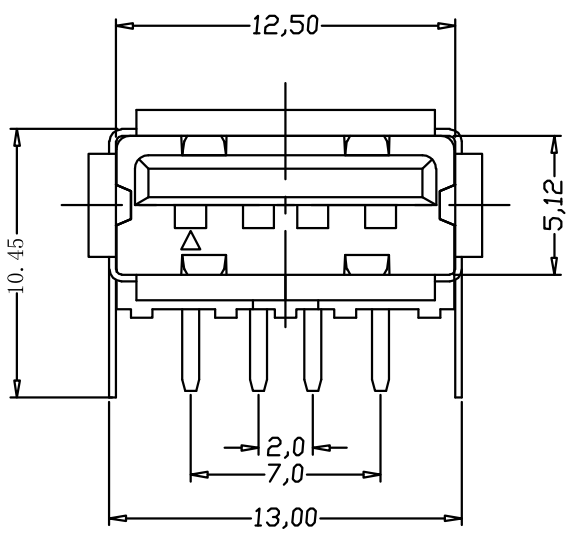


9 8 7 6 5 4 3 2 1

| REV. | ECN.NO. | APPD. |
|------|---------|------------|
| A | / | chenyiting |



- NOTES:
- MATERIAL:
 - Housing:thermoplastic plastics
 - terminals:Copper Alloy
Gold plated in contact area:
Tin plated in termination
Nickel Plated overall
 - Shell:Steel&Copper Alloy
Nickel Plated overall
 - ELECTRICAL CHARACTERISTICS:
 - Rating Current :1.5 Ampere
 - Rating Voltage :30 V Max
 - Contact Resistance:30 Milli ohms
 - Insulation Resistance:1000 Mega ohms Min.
 - MECHANICAL CHARACTERISTICS:
 - Connector Mating force: 35N MAX(3.57Kgf)
 - Connector Unmating force:10N min(1.02Kgf)
 - Durability:1500Cycles.
 - ENVIRONMENT CHARACTERISTICS:
 - Operating temperature:-0°C to +50°C
 - Storage temperature:-20°C to +60°C



P.C.B.LAYOUT

U221-0111-122017

- 1:铁壳镀镍
- 1:吸塑盒
- 1:1u" Au
- 2:白色
- 2:PBT

| | | | | | |
|--------------------------------------|------------|---|------------------|-------|-------|
| TOLERANCE UNLESS OTHERWISE SPECIFIED | | HUA LIAN WEI TECHNOLOGY ELECTRONICS CO;LTD. | | | |
| .XXX ±0.10 | .X' ±3' | HUA LIAN WEI TECHNOLOGY ELECTRONICS CO;LTD. | | | |
| .XX ±0.20 | .XX' ±2' | | | | |
| .X ±0.30 | | | | | |
| APPROVED | | PART NAME: | USB AF 直脚有盖 | | |
| CHECKED | | PART No: | U221-0111-122017 | C | |
| DRAWN | chenyiting | PROJECTION: | UNIT: | SCALE | SHEET |
| DATE | 2021.04.03 | | mm | 1:1 | 10F1 |
| | | | | REV. | A |

9 8 7 6 5 4 3 2 1