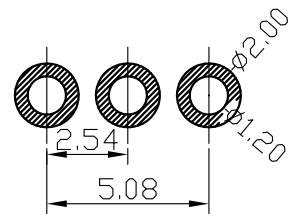
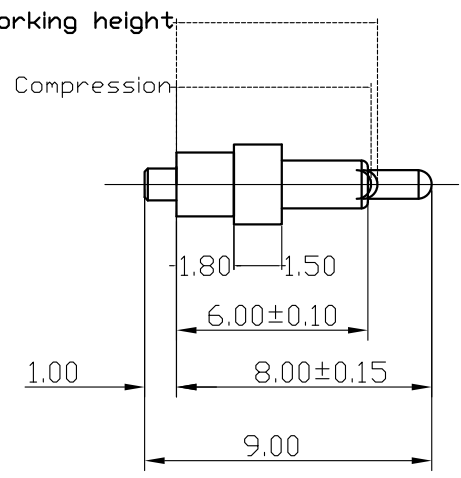
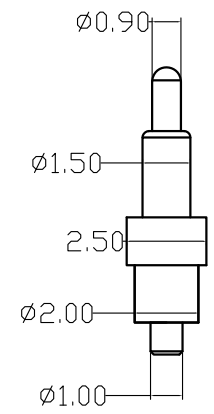
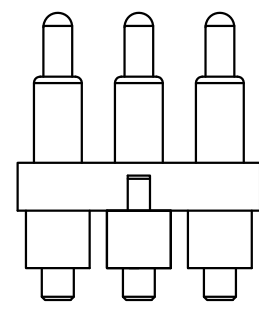
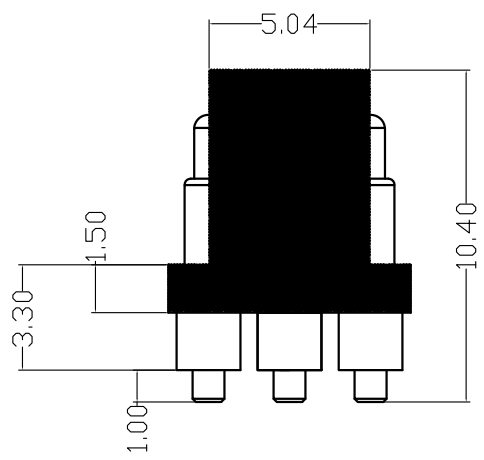
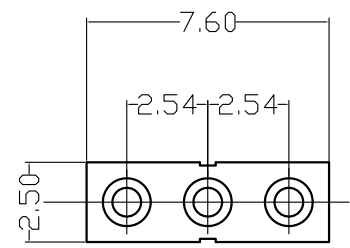


REV.	ECN.NO.	APPD.
A	/	ZFY



RECOMMEND PCB LAYOUT
Layout Tolerance: ± 0.05mm

- 1.Plating**
Plunger: 3 micro-inch minimum Au over 80-120 micro-inch nickel
Barrel: 3 micro-inch minimum Au over 80-120 micro-inch nickel
- 2.Electrical**
Rated current & voltage: DC 12V; 1.0A Max.
Contact resistance: 50 mohm maximum at normal working height(quiescence)
- 3.Mechanical**
Spring force: 20g±5g at normal working height (travel 1.5mm)
Durability: 10,000 cycles(minimum)
- 4.To ensure the best usage,please operate it based on the working height**
Based on the engineering drawings,shall not exceed the maximum allowed compression
- 5.To avoid arcing issue, The adaptor start to power supply**
after connector mated fully.
- 6.RoHS compliant product.**

304206-0030-198

1:半金1u" 9:PA9T黑色

TOLERANCE UNLESS OTHERWISE SPECIFIED		FLW 深圳市华联威电子科技有限公司			
.XXX ±0.15		HUA LIAN WEI TECHNOLOGY ELECTRONICS CO;LTD.			
.XX ±0.20					
.X ±0.30					
APPROVED		PART NAME:	弹簧针 间距2.54 探针		
CHECKED		PART No:	304206-0030-198	C	
DRAWED	ZhangFenYan	PROJECTION:	UNIT:	SCALE	SHEET
DATE	2018.10.10		mm	1:1	10F1
					REV. A