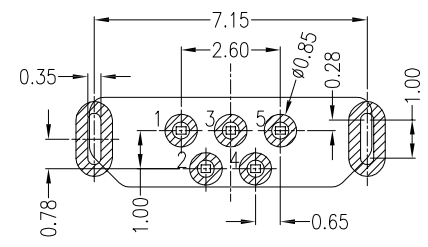
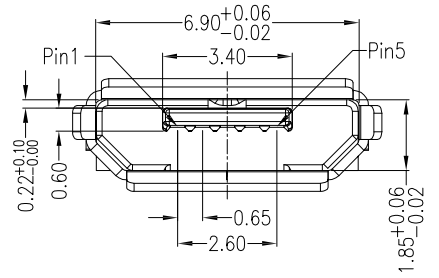
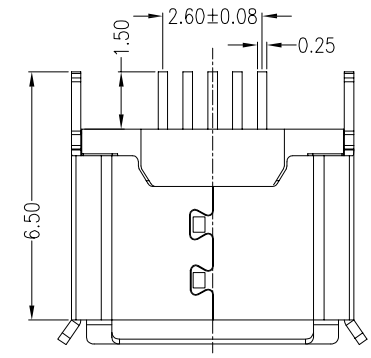
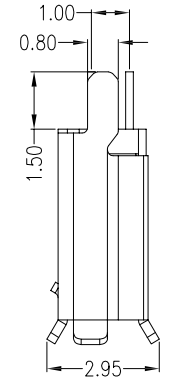
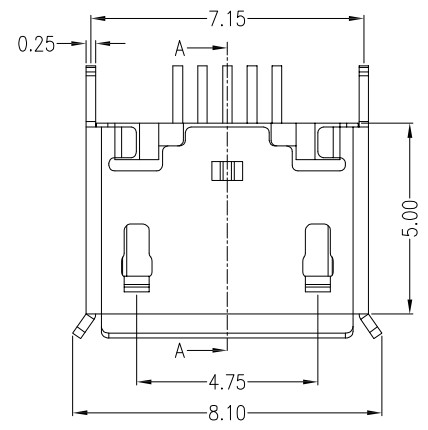
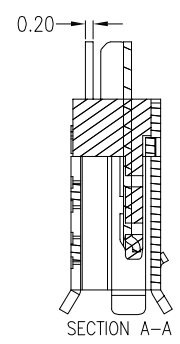
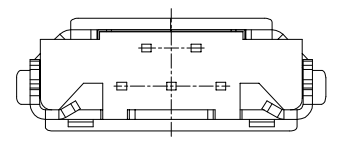


REV.	ECN.NO.	APPD.
A	EXXXXXXXXXX	yangguifeng

Note:  
 1.Material:  
 1.1 Housing: High temperature thermoplastic with g.f,UL94v-0  
 1.2 Contact: copper alloy,t=0.20mm  
 1.3 Shell: SUS304,t=0.25mm  
 2.Specification:  
 2.1 Current rating:1.5PIN 1.8A Max/2,3,4P  
 2.2 Dielectric withstanding voltage: 100 V(ac) for 1 min.  
 2.3 Contact resistance: 30 mΩ Max.  
 2.4 Insulation resistance: 100 MΩ Min.  
 2.5 Total mating force: 3.57 Kg Max.  
 2.6 Total unmating force: 1.0 Kg Min.  
 2.7 Temperature range: -30°C~80°C



RECOMMENDED PCB LAYOUT  
 PCB图仅供参考

- U443-611X-XXXOX8
- 1:铁壳镀镍
  - 5:铜壳镀镍
  - A:不锈钢镀雾锡
  - 1:半金1u"
  - 3:半金3u"
  - 5:半金5u"
  - G:半金G/Fu"
  - 9:镀全金1u"
  - 4:镀全亮锡
  - 1:PA66
  - 2:PBT
  - 6:LCP
  - 1:吸塑盒
  - 2:吸塑管
  - 3:载带
  - 6:载带+贴麦拉
  - 1:黑色
  - 2:白色
  - 3:米黄色

TOLERANCE UNLESS OTHERWISE SPECIFIED		<b>FLW</b> 深圳市华联威电子科技有限公司			
.XXX ±0.10		HUA LIAN WEI TECHNOLOGY ELECTRONICS CO.;LTD.			
.XX ±0.20		.X' ±3'			
.X ±0.30		.XX' ±2'			
APPROVED		PART NAME:	MICRO 5P180度短体5.0		
CHECKED		PART No:	U443-611A-G61038	C	
DRAWN	yangguifeng	PROJECTION:	UNIT:	SCALE:	SHEET:
DATE	2021.12.01		mm	1:1	1 OF 1
					REV. A