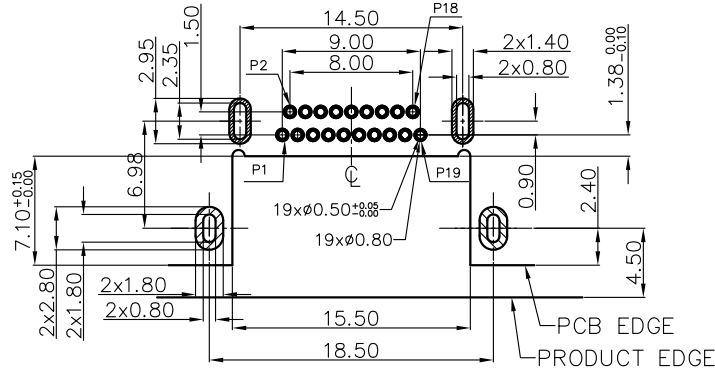
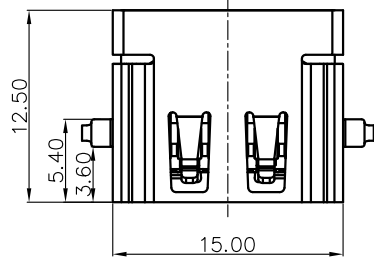
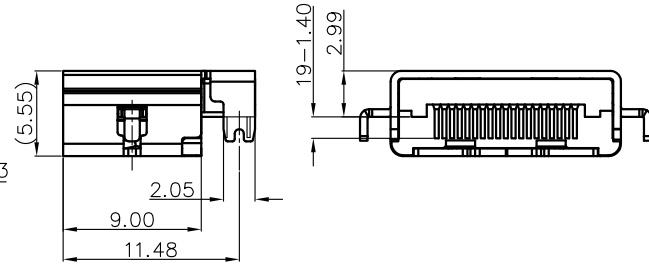
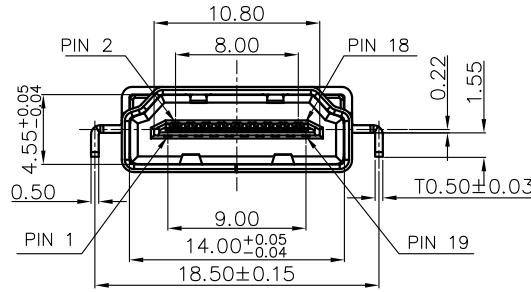


REV.	ECN.NO.	APPD.
A	/	/



RECOMMENDED PCB LAYOUT T=1.20  
GENERAL TOLERANCES:±0.05

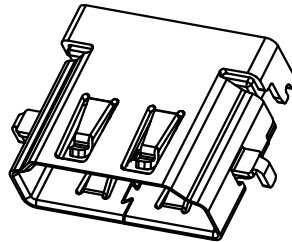
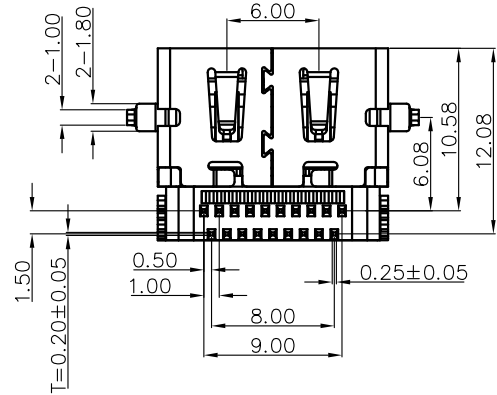


NOTES:

- MATERIAL:
  - Housing:thermoplastic plastics
  - terminals:Copper Alloy  
Gold plated in contact area:  
Tin plated in termination  
Nickel Plated overall
  - Shell:Steel&Copper Alloy  
Nickel/Au Plated overall
- ELECTRICAL CHARACTERISTICS:
  - Rating Current :0.5 Ampere
  - Rating Voltage :40 V Max
  - Contact Resistance:30 Milli ohms
  - Insulation Resistance:100 Mega ohms Min.
- MECHANICAL CHARACTERISTICS:
  - Connector Mating force: 4.5kg MAX
  - Connector Unmating force:1.0Kg min
  - Durability:10000Cycles.
- ENVIRONMENT CHARACTERISTICS:
  - Operating temperature:-20°C to +85°C
  - Storage temperature:-20°C to +65°C

HD27-071B-G61018

B:不锈钢镀镍  
G:半金G/Fu  
1:吸塑盒  
1:黑色  
6:LCP



TOLERANCE UNLESS OTHERWISE SPECIFIED		<b>FLW 深圳市华联威电子科技有限公司</b>					
.XXX ±0.10 .XX ±0.20 .X ±0.30		.X' ±3' .XX' ±2'		HUA LIAN WEI TECHNOLOGY ELECTRONICS CO;LTD.			
APPROVED		PART NAME:	HDMI 19P/F沉板反向H2.99				
CHECKED		PART No:	HD27-071B-G61018				C
DRAWN	weihong	PROJECTION:	UNIT:	SCALE	SHEET	REV.	
DATE	2021.7.23		mm	1:1	10F1	A	